

A1 Draw Latch

Over-center · Heavy-duty · Small and medium · Adjustable

- Hooked latching rod
- Latching arm adjusts to fit your grip range

Material and Finish

Stainless steel or steel, zinc plated
Grip: Vinyl yellow

Performance Details

Latched at end of hook:

Small:

Max. static load: 1200 N (270 lbf)

Medium:

Max. static load: 1780 N (400 lbf)

Latched at center of radius:

Small:

Max. static load: 1350 N (300 lbf)

Medium:

Max. static load: 3110 N (700 lbf)

Installation Notes

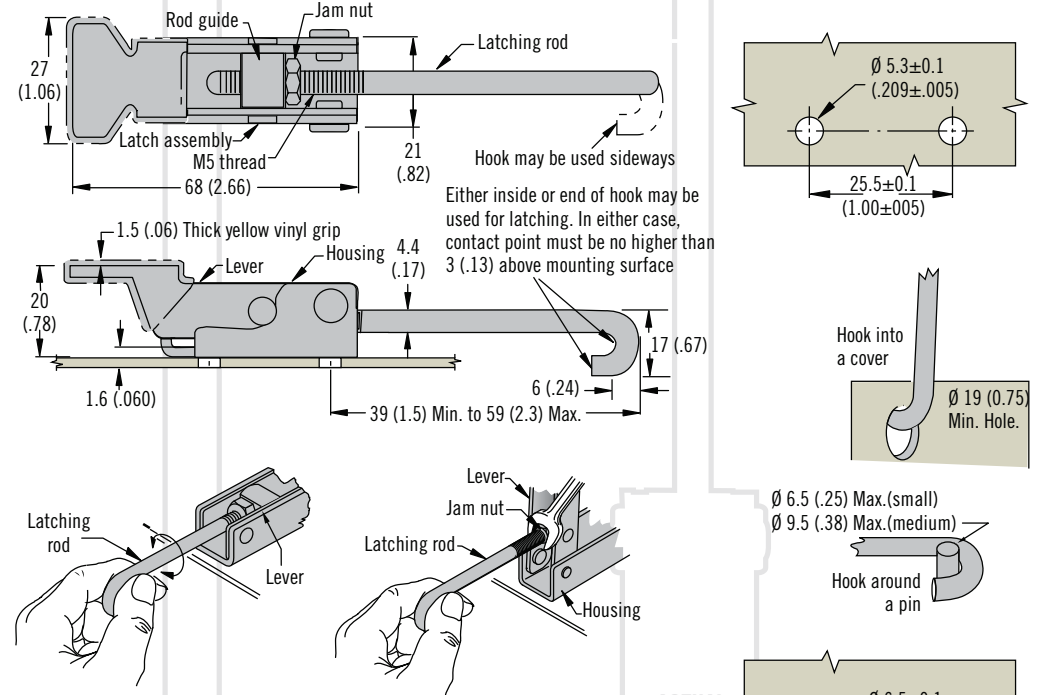
Small:

Install assembly with four M5 (No. 10) screws or rivets

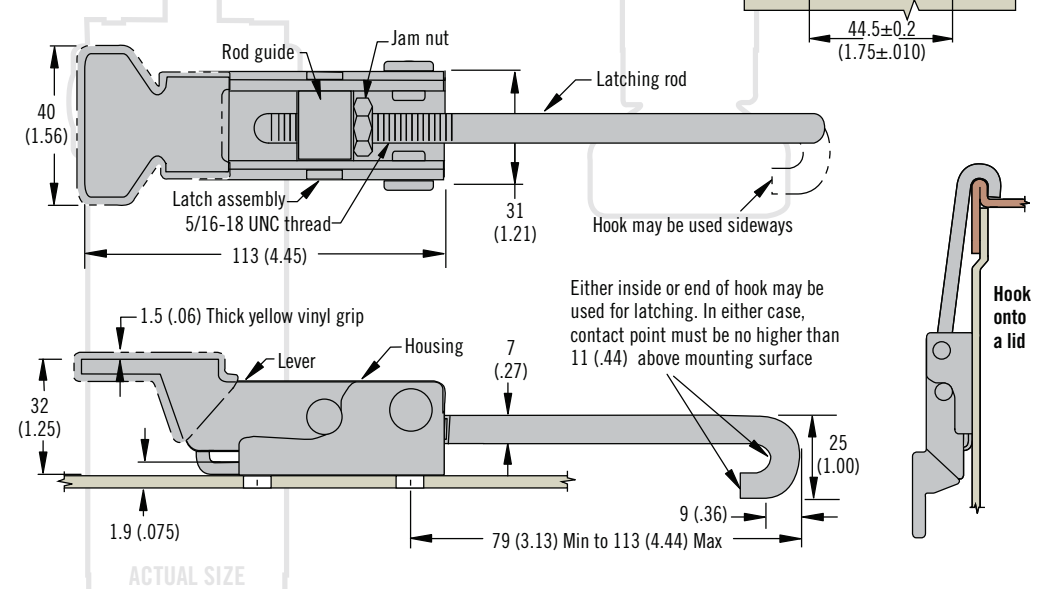
Medium:

Install assembly with four M6 (1/4) screws or rivets

Small



Medium



Part Number Selection

<p>B Base type</p> <p>5 Small</p> <p>7 Medium</p>	<p>A1 - 11 - B 02 - M</p>	<p>M Finish</p> <p>10 Steel, zinc plated without yellow grip</p> <p>20 Steel, zinc plated with yellow grip</p> <p>40 Stainless steel without yellow grip</p> <p>50 Stainless steel with yellow grip</p>
--	----------------------------------	--

Dimensions in millimeters (inch) unless otherwise stated



A1 Draw Latch

Over-center · Heavy-duty · Adjustable

- Robust construction
- Adjustable grip

Material and Finish

Steel, zinc plated or black powder coated

Performance Details

Latched at end of hook:

Max. static load: 2225 N (500 lbf)

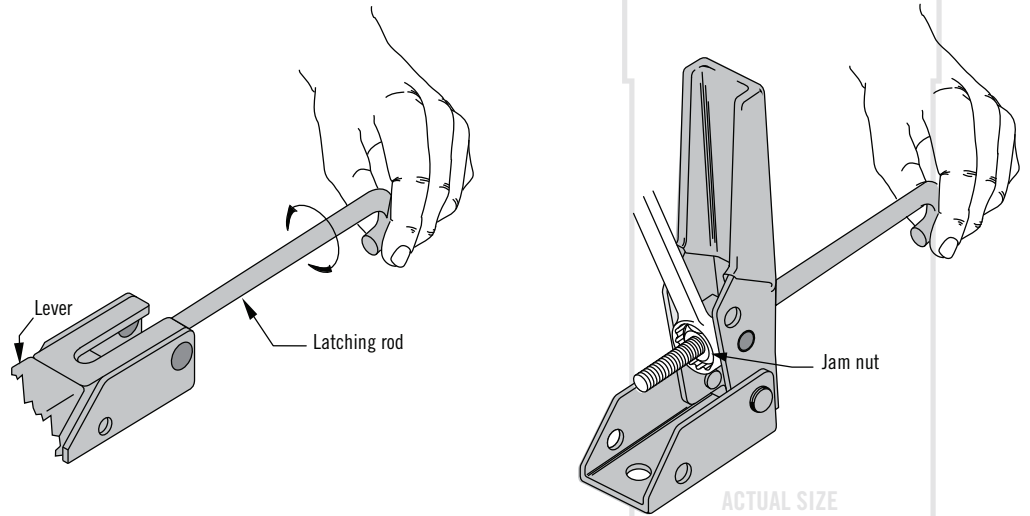
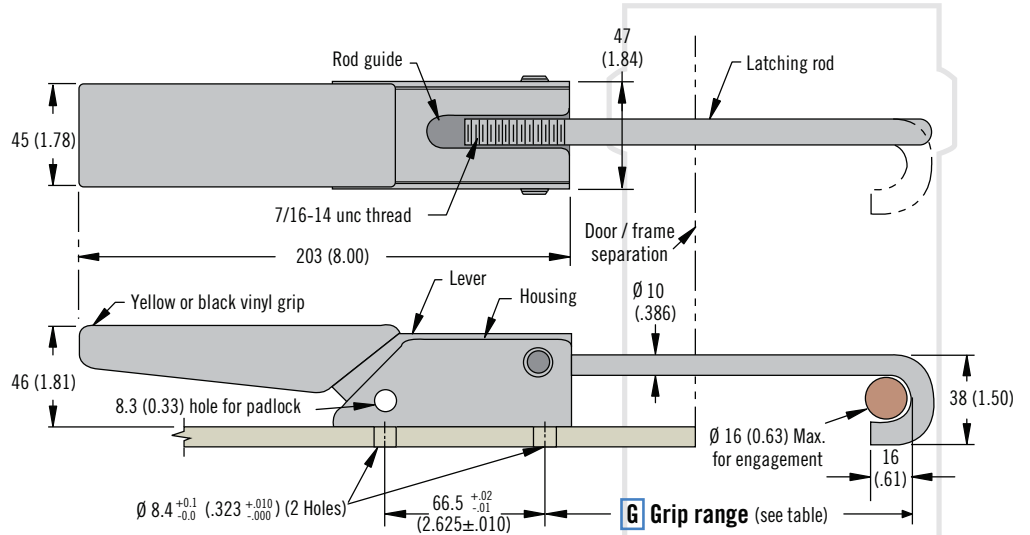
Latched at center of radius:

Max. static load: 4450 N (1000 lbf)

Installation Notes

Install assembly with two M8 (5/16) bolts (not supplied)

Hook may be used sideways. Either inside or end of hook may be used for latching. In either case, contact point must be no higher than 25 (1.00) above mounting surface



Part Number

See table

G Grip Range		Part Number	
Min.	Max.	Bright latch with yellow vinyl grip	Black latch with black vinyl grip
89 (3.50)	114 (4.50)	A1-11-902-20	A1-11-902-31