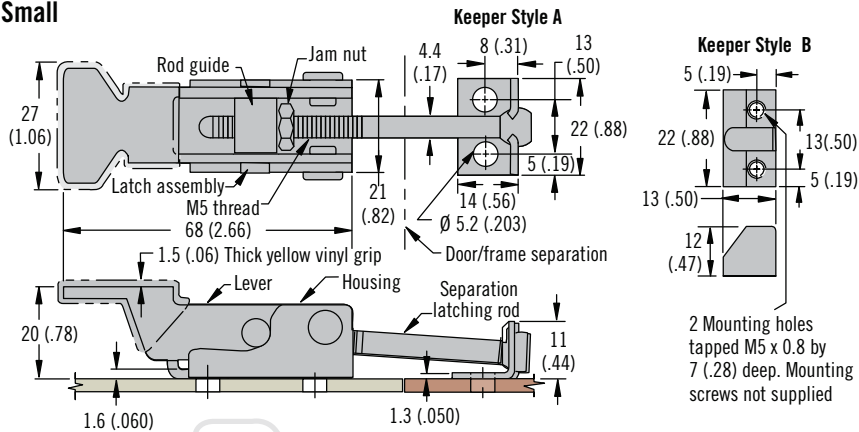


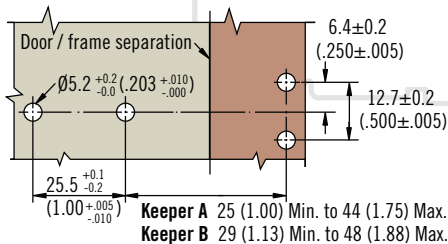
A1 Draw Latch

Over-center · Small and medium · Adjustable

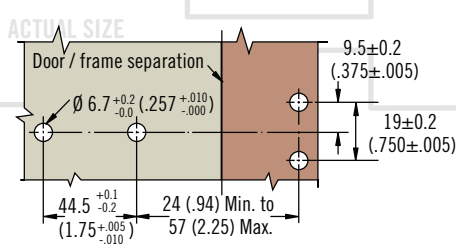
Small



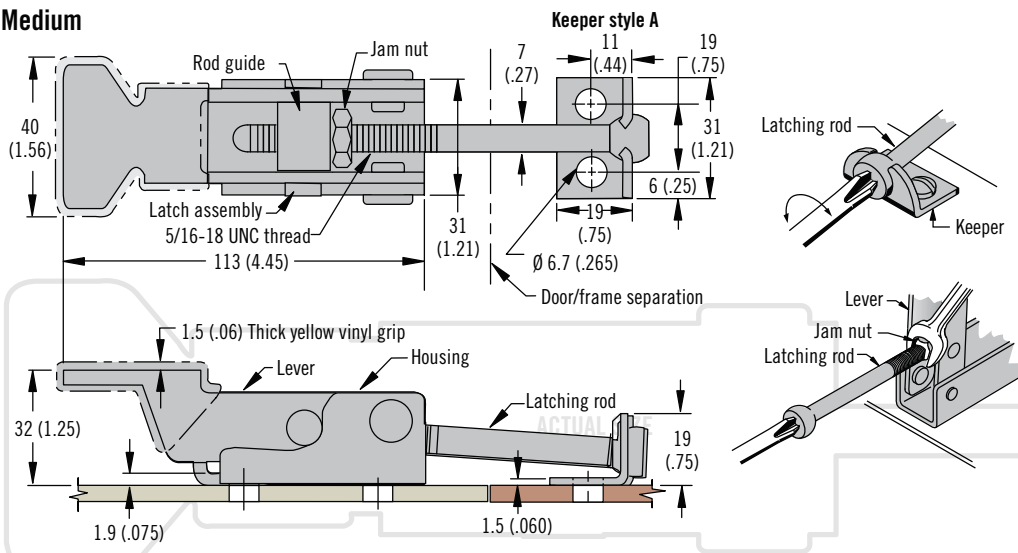
Small Panel Preparation



Medium Panel Preparation



Medium



• Adjustable grip

Material and Finish

Stainless steel or steel, zinc plated
Grip: Vinyl yellow

Performance Details

Small (keeper style A):
Max. static load: 180 N (40 lbf)

Small (keeper style B):
Max. static load: 1550 N (350 lbf)

Medium (keeper style A):
Max. static load: 890 N (200 lbf)

Installation Notes

Small:
Install assembly with four M5 (No. 10) round head screws or rivets

Medium:
Install assembly with four M6 (1/4) round head screws or rivets

Part Number Selection

Assembly complete with keeper

A1 - 10 - B 0 K - M

B Base type

- 5 Small
- 7 Medium

K Keeper style

- 1 Type A
- 3 Type B (Small steel, zinc plated models only)

M Finish

- 10 Steel, zinc plated without yellow grip
- 20 Steel, zinc plated with yellow grip
- 40 Stainless steel without yellow grip
- 50 Stainless steel with yellow grip



Dimensions in millimeters (inch) unless otherwise stated



www.southco.com/A1