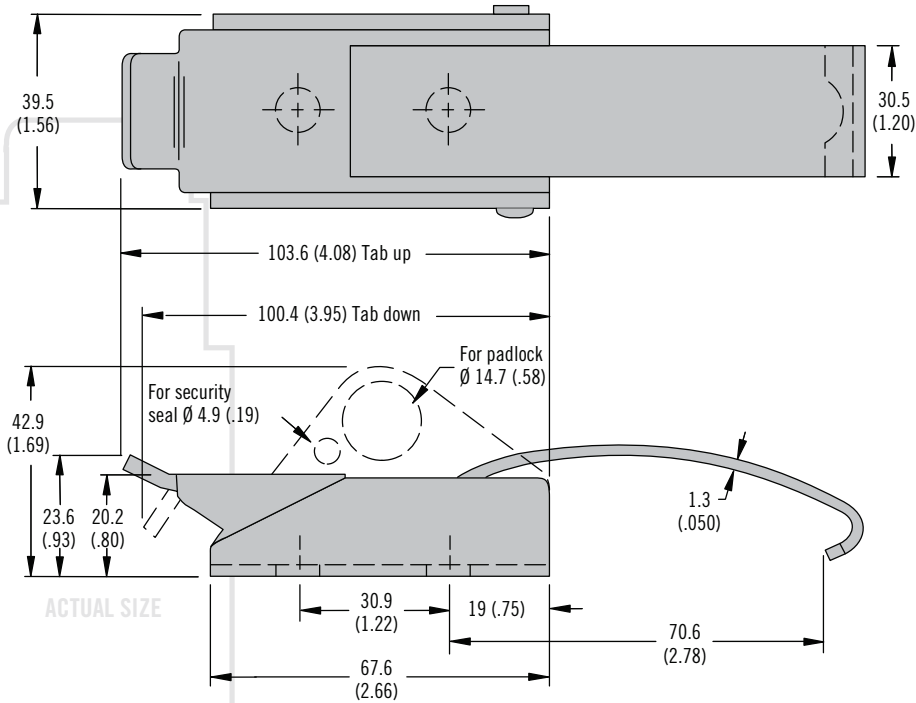


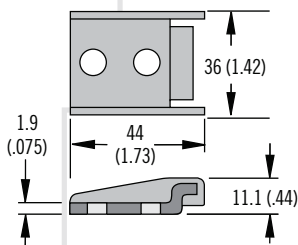
97 Draw Latch

Over-center · Extra large

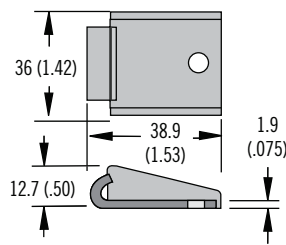


Keepers

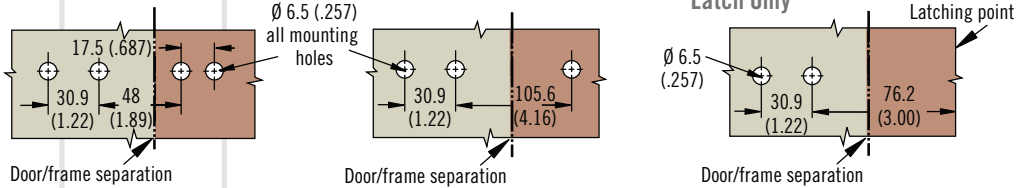
Concealed 2 Hole



Exposed Single Hole



Latch Only



Material	Latch Part Number		
	Lever Tab Up	Lever Tab Down	Padlockable
Steel	97-70-120-11	97-70-220-11	97-70-320-11

Material	Keeper Part Number	
	Concealed 2 Hole	Exposed Single Hole
Steel	97-77-103-11	97-77-104-11

- Multiple keeper options for application variances

Material and Finish

Steel, zinc plated

Performance Details

Clamping force: 645 N (145 lbf)

Installation Notes

Install assembly with M6 (1/4) round head screws (not supplied) or 6 (1/4) rivets