



97 Draw Latch

Over-center · Large

- Multiple keeper options for application variances

Material and Finish

Steel, zinc plated or steel powder coated black

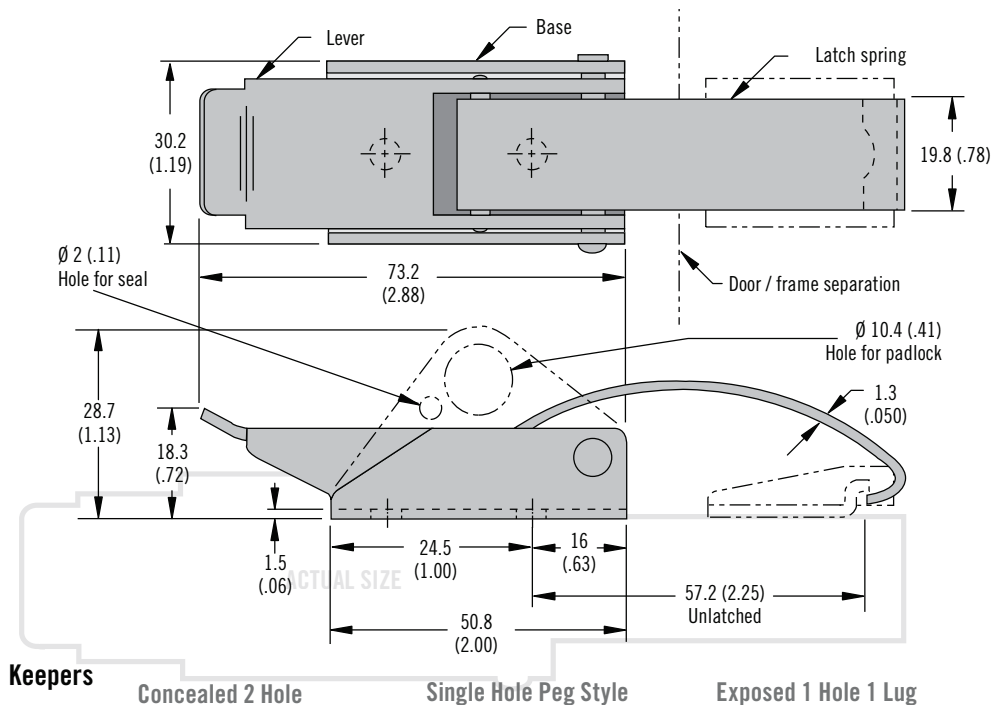
Performance Details

Clamping force: 290 N (65 lbf)

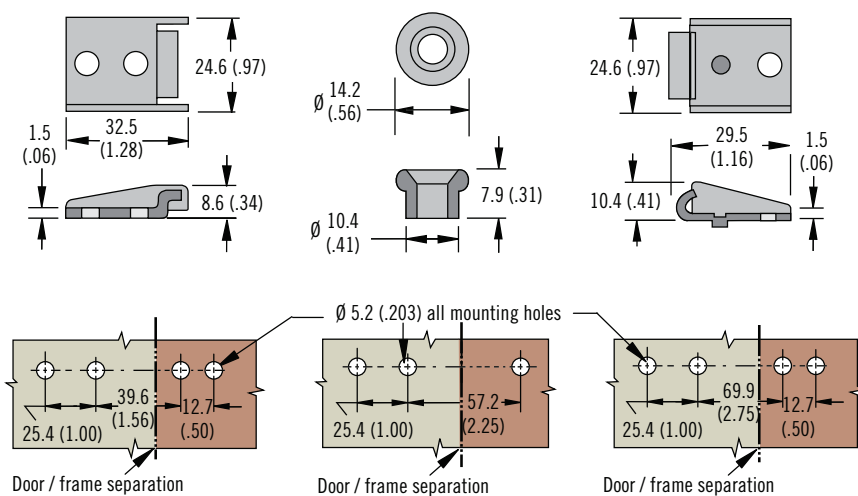
Installation Notes

Install assembly with M5 (No. 10) round head screws (not supplied) or 5 (3/16) rivets

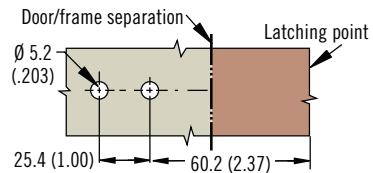
For peg style keeper use M5 (No. 10) flat head screws or rivets



Keepers Concealed 2 Hole Single Hole Peg Style Exposed 1 Hole 1 Lug



Latch Only



Part Number

See table

Order latch and keeper separately

Material	Latch Part Number	
	Lever Tab Up	Padlockable
Steel, Zinc Plated	97-60-120-11	97-60-320-11
Steel, Black Powder Coated	97-60-120-15	97-60-320-15

Material	Keeper Part Number		
	Concealed 2 Hole	Single Hole Peg Style	Exposed 1 Hole 1 Lug
Steel, Zinc Plated	97-67-103-11	97-67-105-11	97-67-104-11
Steel, Black Powder Coated	97-67-103-15	97-67-105-15	97-67-104-15

Dimensions in millimeters (inch) unless otherwise stated