

DATE 12-22-83
 DRAWN TCC
 CHKD
 SCALE NTS
 DRAWING NUMBER J-97-50-21-1

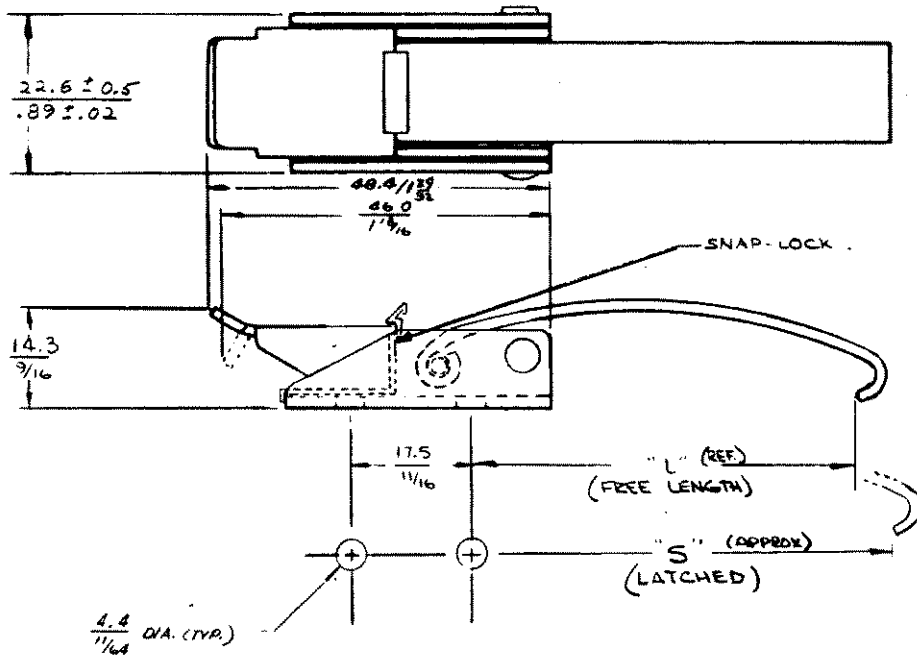
NO 97 DRAW CATCH - MOUNTING SPECIFICATIONS
 ASSEMBLES WITH SNAP-LOCK

SOUTHCO

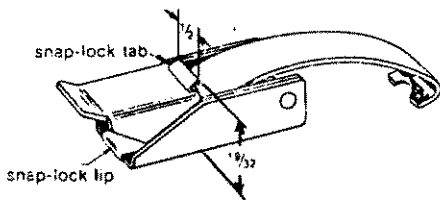
LEVER STYLE	SPRING RATING	SPRING LENGTH	PART NUMBER	L		S
				REF	INCH	
ACTUATING TAB UP	LIGHT DUTY	SHORT	97-50-110-2X	29.4	5/32	32.8 / 1 1/4
		MEDIUM	97-50-120-2X	42.1	21/32	44.8 / 1 3/4
		LONG	97-50-130-2X	54.8	2 5/32	57.1 / 2 1/4
	HEAVY DUTY	SHORT	97-50-150-21	29.4	5/32	32.8 / 1 1/4
		MEDIUM	97-50-160-21	42.1	21/32	44.8 / 1 3/4
		LONG	97-50-170-21	54.8	2 5/32	57.1 / 2 1/4
ACTUATING TAB DOWN	LIGHT DUTY	SHORT	97-50-210-2X	29.4	5/32	32.8 / 1 1/4
		MEDIUM	97-50-220-2X	42.1	21/32	44.8 / 1 3/4
		LONG	97-50-230-2X	54.8	2 5/32	57.1 / 2 1/4
	HEAVY DUTY	SHORT	97-50-250-21	29.4	5/32	32.8 / 1 1/4
		MEDIUM	97-50-260-21	42.1	21/32	44.8 / 1 3/4
		LONG	97-50-270-21	54.8	2 5/32	57.1 / 2 1/4

PART NUMBER SUFFIX - INDICATES MATERIAL & FINISH

- 21 ~ LEVER, BASE AND SPRING - STEEL; ZINC PLATE, BRIGHT. PIN & RIVET - S/S ; NATURAL
 SNAP LOCK - STEEL; ZINC PLATE PLUS BLACK ORGANIC COATING
- 22 ~ LEVER, BASE AND SPRING - STAINLESS STEEL, PASSIVATED
 PIN AND RIVET - STAINLESS STEEL, NATURAL
 SNAP LOCK - STAINLESS STEEL, BLACK ORGANIC COATING



NOTE ~ SNAP-LOCK SHIPPED UNASSEMBLED



To Install
 While installing latch base, position turned down lip of snap-lock against rear edge of base to align mounting holes. Insert mounting screw or rivet through both parts.

To open, push snap-lock tab forward and lift latch lever.

To close, just push lever back down, snap-lock will spring to locked position.

mm
 INCH

DRAWING NUMBER J-97-50-21-1
 PROPRIETARY ITEM. EXCEPT FOR USES EXPRESSLY GRANTED IN WRITING, INFORMATION DISCLOSED HEREON IS CONFIDENTIAL AND ALL RIGHTS, PATENT AND OTHERWISE, ARE RESERVED BY SOUTHCO, INC.
 REV. A 4-24-84
 REV. B 10-30-86
 REV. C 5-22-90
 REV. D 12-22-93