



97 Draw Latch

Over-center · Small

- Compact latch
- Multiple keeper options for application variances

Material and Finish

Stainless steel or steel, zinc plated

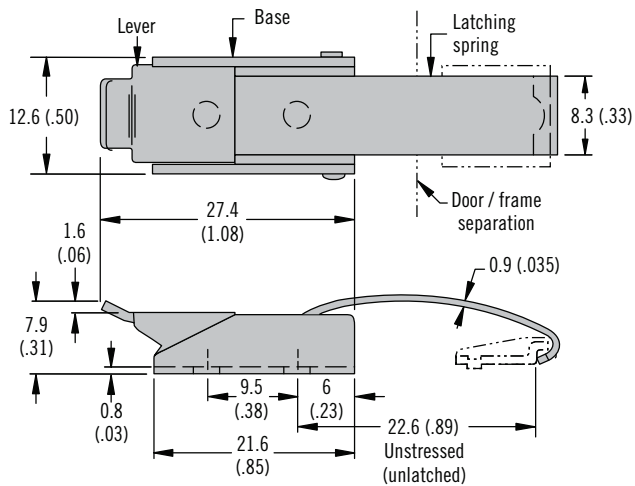
Performance Details

Clamping force: 135 N (30 lbf)

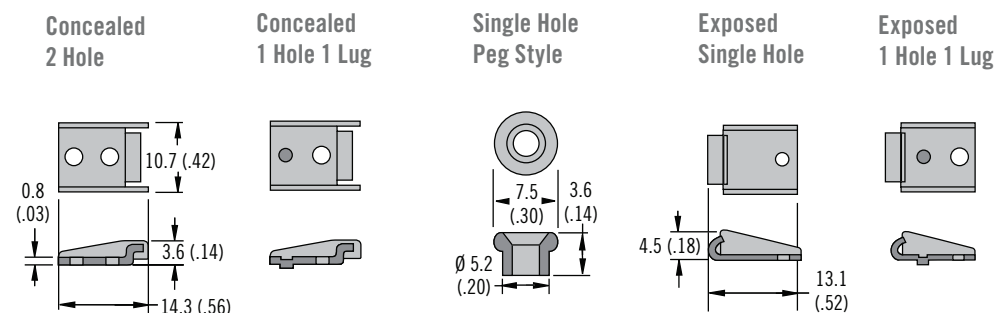
Installation Notes

Install assembly with M3 (No. 4) round head screws or 3 (.118) rivets (not supplied)

For peg style keeper use M3 (No. 4) flat head screws or rivets



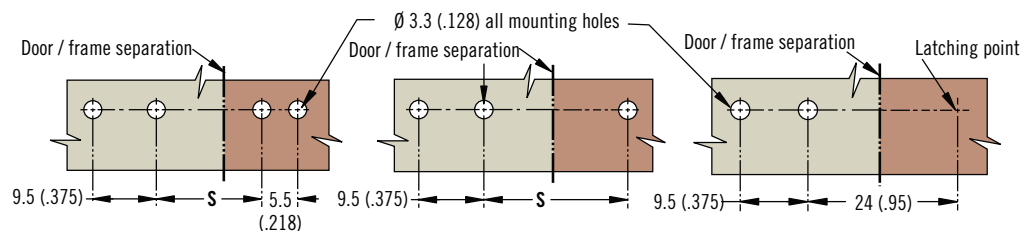
Keepers



Two Hole Keepers

Single Hole Keepers

Latch Only



Part Number

See table

Order latch and keeper separately

Material	Part Number					
	Latch	Keepers				
		Concealed 2 Hole	Concealed 1 Hole 1 Lug	Single Hole Peg Style	Exposed Single Hole	Exposed 1 Hole 1 Lug
Steel	97-30-160-11	97-37-103-11	97-37-101-11	97-37-105-11	97-37-104-11	97-37-102-11
Stainless Steel	97-30-160-12	97-37-103-24	97-37-101-24	97-37-105-24	97-37-104-24	97-37-102-24
S Dimension		14.7 (.58)	14.7 (.58)	21.8 (.86)	33 (1.30)	27.4 (1.08)

Dimensions in millimeters (inch) unless otherwise stated