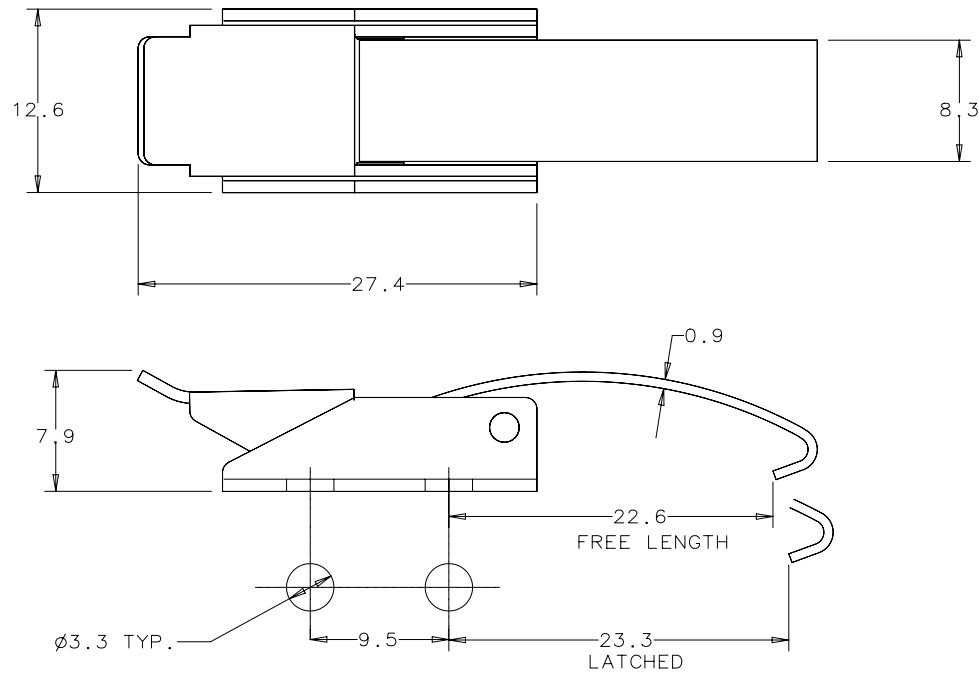


DATE	DRAWN	CHKD	SCALE	DRAWING NUMBER
12-11-75	ACZ		2:1	J-97-30-4

REV.	DATE	BY-CHKD	REVISIONS	PART NUMBER	MATERIAL	FINISH	PIN MATERIAL		
A	7-1-76	ACZ	ADDED PART NO. SUFFIX "-12"	97-30-160-11	STEEL	SEE NOTE A	SEE NOTE B		
B	1-25-82	AJF	PRN: S-1-01	97-30-160-12	STAINLESS STEEL	PASSIVATED	SEE NOTE B		
C	2-2-87	GGG	PRN: 97-113	97-30-160-15	STEEL	SEE NOTE C	SEE NOTE B		
D	12JAN93	JC	PRN: S-1-03						
E	06SEP96	JDT	PRN: 97-221B						
F	23SEP2008	MJS	PRN: P2008-1047						

NOTES:

- A. ZINC PLATE, BRIGHT CHROMATE DIP.
- B. 18-9LW STAINLESS STEEL, PASSIVATED.
- C. BLACK POWDER COATED.



FORMATA 3/88

PROPRIETARY ITEM - EXCEPT FOR USES EXPRESSLY GRANTED IN WRITING  
 INFORMATION DISCLOSED HEREON IS CONFIDENTIAL AND ALL RIGHTS PATENT  
 AND OTHERWISE ARE RESERVED BY SOUTHCO, INC.

ALL DIMENSIONS ARE IN MILLIMETERS.  
 ALL DIMENSIONS WITHOUT TOLERANCES ARE REFERENCE.  
 THIRD ANGLE PROJECTION DRAWING.

DRAWING NUMBER  
**J-97-30-4**