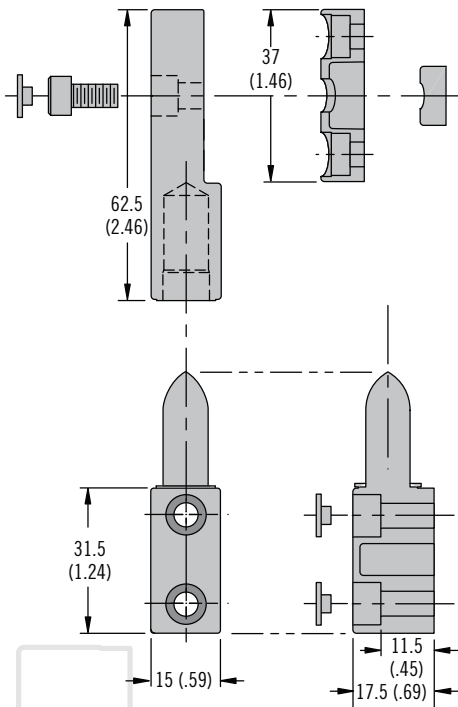




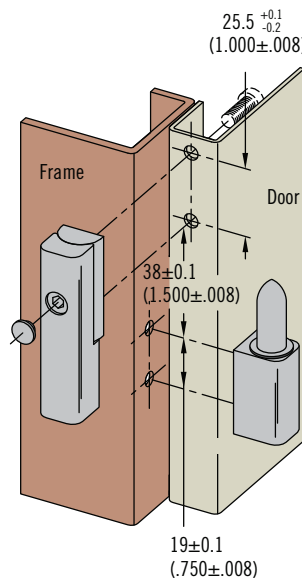
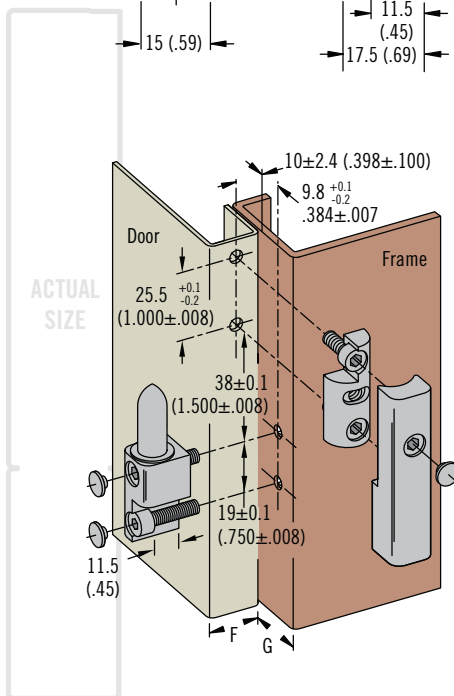
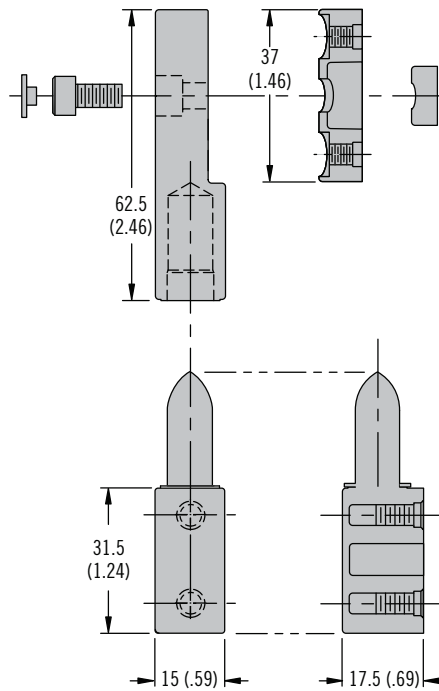
96 Hinge

Lift-off · Adjustable compression · In-line · Zinc

Front Mount



Concealed Mount



- Adjusts to ensure gasket compression
- Allows for quick, easy door removal



Material and Finish

Zinc alloy, black powder coated

Installation Notes

Screws not supplied.

Max. screw length equals door or frame thickness plus 7.5 (.30)

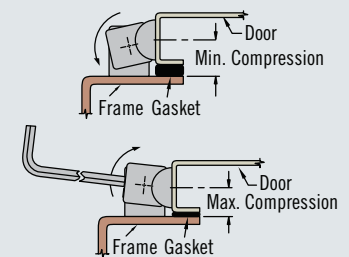
Performance Details

	Radial Load	Axial Load
Max. static load	1000 N (255 lbf)	2220 N (500 lbf)
Average ultimate load	1550 N (350 lbf)	14,000 N (3200 lbf)

Notes

Hinges provide 5 (.20) of total adjustment

Either F Dimension or G dimension must be less than 19.8 (.78) for the door to open a full 180°



Install Style	Tapped Hole	Part Number
Front mount	Thru hole	96-10-572
	10-32 Imperial	96-10-570
Concealed mount	M5 x 0.8 Metric	96-50-570

Part Number

See table