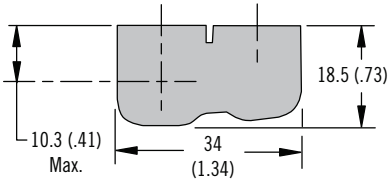


96 Hinge

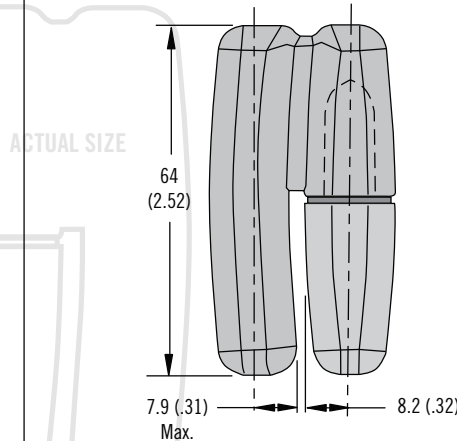
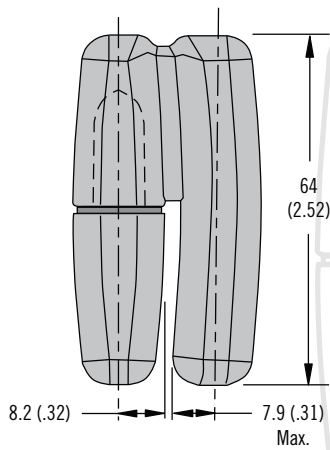
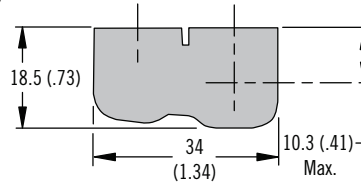
Lift-off · Offset · Zinc and stainless steel



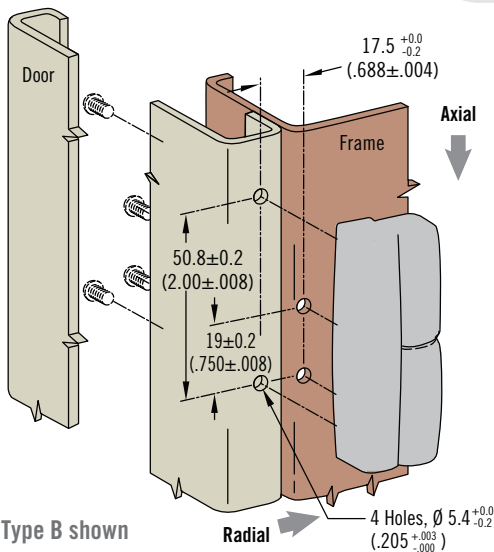
Type A



Type B

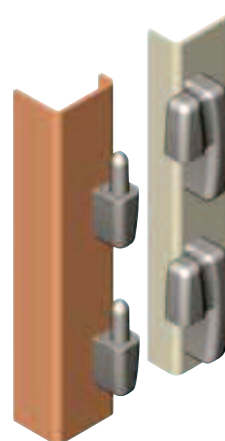


ACTUAL SIZE

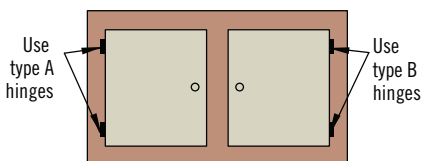
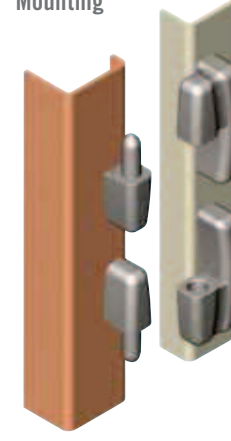


Type B shown

For Lift-Off Mounting



For Non Lift-Off Mounting



- Allows for quick, easy door removal
- Door can also be permanently installed

Material and Finish

Zinc alloy, chrome plated, powder coated or stainless steel

Performance Details

Radial load
 Max. static load:
 Zinc alloy: 1300 N (300 lbf)
 Stainless steel: 3000 N (670 lbf)

Axial Load
 Max. static load:
 Zinc alloy: 2200 N (500 lbf)
 Stainless steel: 5000 N (1120 lbf)

Installation Notes

Screws not supplied.
 Attach hinge with four M5 x 0.8
 Max. screw length = door (or frame) thickness + 10 (.400)