



96 Hinge

Lift-off · In-line · Zinc and stainless steel

- Allows for quick, easy door removal
- Door can also be permanently installed

Material and Finish

Zinc alloy, chrome plated, powder coated or stainless steel

Performance Details

Radial load

Max. static load:

Zinc alloy: 1300 N (300 lbf)

Stainless steel: 3000 N (670 lbf)

Axial Load

Max. static load:

Zinc alloy: 2200 N (500 lbf)

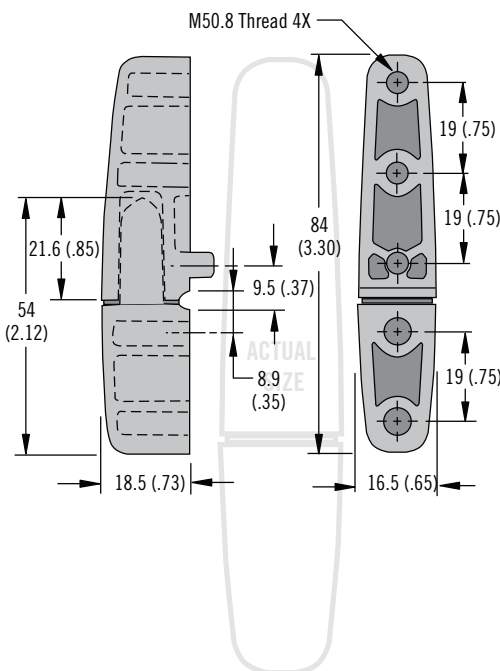
Stainless steel: 5000 N (1120 lbf)

Installation Notes

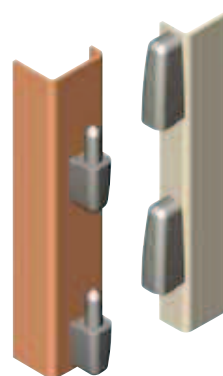
Screws not supplied.

Attach hinge with four M5 x 0.8

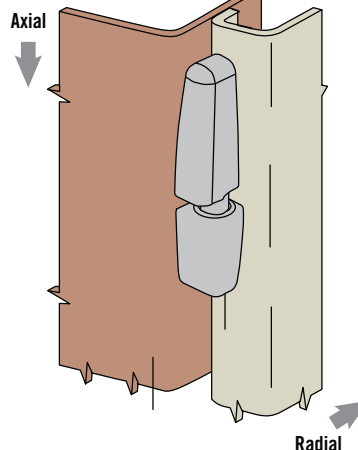
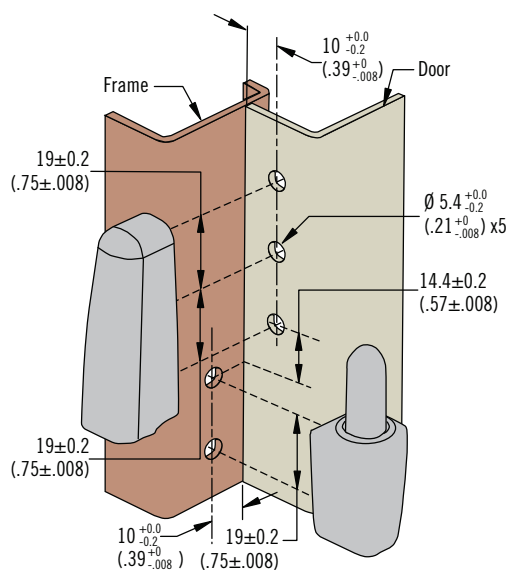
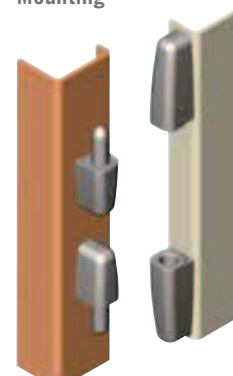
Max. screw length = door (or frame) thickness + 10 (.400)



For Lift-Off Mounting



For Non Lift-Off Mounting



Part Number

See table

Material & Finish	Part Number
Zinc alloy, bright chrome	96-MA-80-10
Zinc alloy, black powder coated	96-MA-80-50
Zinc alloy, satin chrome	96-MA-80-20
Stainless steel, polished	96-MA-80-24

Dimensions in millimeters (inch) unless otherwise stated



www.southco.com/96