



# 93 Push-to-Close Latch

Push button to open

- Push button opening
- Single hole installation
- Optional ejector spring helps prevent rattles

### Material and Finish

Latch: ABS, black  
Spring: Stainless steel

### Performance Details

Max. working load:  
530 N (120 lbf)

Flammability rating: UL94-HB

### Installation Notes

Max. tightening torque on mounting nut: 7.9 N·m (70 in·lbf)

### Accessories

Flat key, keyed alike CH751  
(2 keys per ring)  
Part number: PK-10-01



Overmolded key, keyed alike CH751  
(2 keys per ring)  
Part number: PK-10-01-05



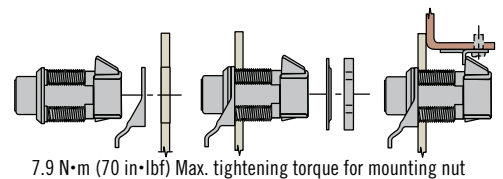
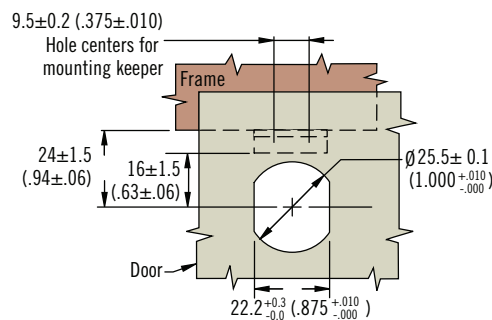
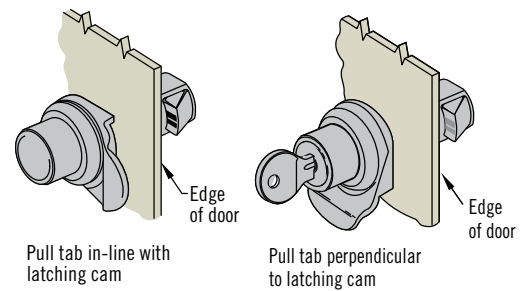
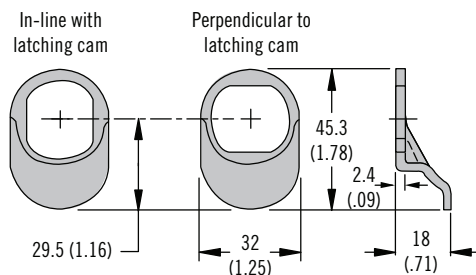
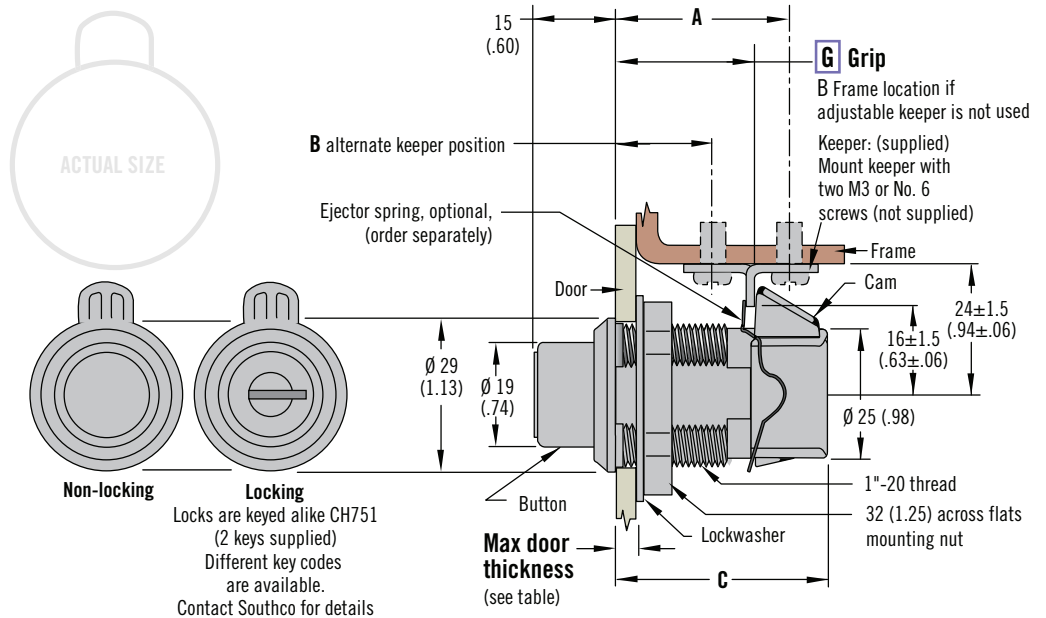
Pull tab (optional) part number:  
In-line 93-21-301-14  
Perpendicular 93-21-322-14

Keeper (replacement) part number:  
93-14-101-24

Ejector spring (optional)  
part number: 93-22-302-18

### Part Number

See table



Style	Max. Door Thickness	G Grip	Dimensions			Latch Part Number	
			A	B	C Ref	Key-Locking (2 Flat Keys Supplied)	Non-Locking
Pull tab in-line with latching Cam	10.3 (.407)	23 <sup>+0.1</sup> <sub>0.07</sub> (907 <sup>+0</sup> <sub>-0.32</sub> )	29.5±1.5 (1.16±.06)	14.5±1.5 (.57±.06)	37 (1.47)	93-303	93-304
Pull tab perpendicular to latching Cam	10.3 (.407)	23 <sup>+0.1</sup> <sub>0.07</sub> (907 <sup>+0</sup> <sub>-0.32</sub> )	29.5±1.5 (1.16±.06)	14.5±1.5 (.57±.06)	37 (1.47)	93-313	93-314
Latch only	12.7 (.500)	25±0.4 (1.000 <sup>+0</sup> <sub>-0.32</sub> )	32±1.5 (1.25±.06)	17±1.5 (.66±.06)	40 (1.57)	93-307	93-308