



93 Push-to-Close Latch

Turn-to-open · Knob style

- Turn-to-open
- Single hole installation

Material and Finish

Latch: Zinc alloy, zinc plated
 Knob: Polycarbonate black

Performance Details

Max. working load:
 Large: 560 N (125 lbf)
 Small: 330 N (75 lbf)

Operating temperature range:
 -18°C (0°F) to 65°C (150°F)

Flammability rating: UL94-HB

Installation Notes

Max. tightening torque on mounting nut: 7.9 N·m (70 in·lbf)

Accessories

Flat key, keyed alike CH751
 (2 keys per ring)
 Part number: PK-10-01



Overmolded key, keyed alike CH751
 (2 keys per ring)
 Part number: PK-10-01-05

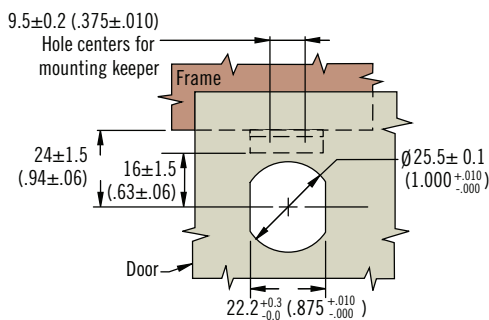
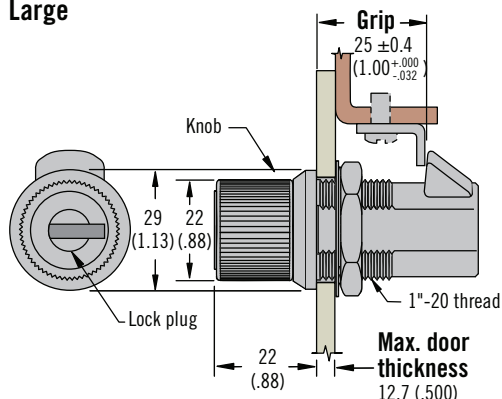


Keeper (replacement)
 Part number: 93-14-101-11

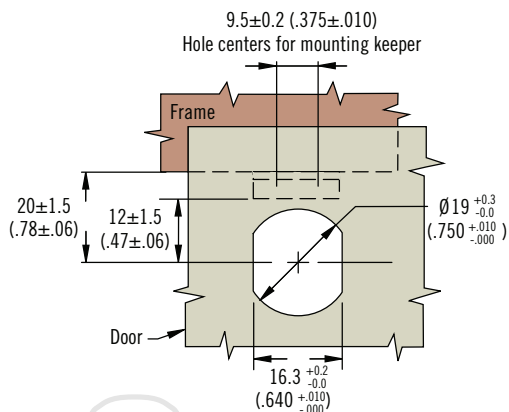
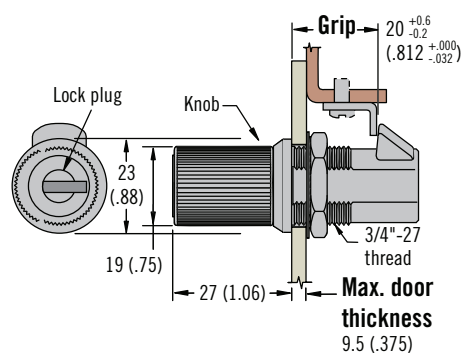
Part Number

See table

Large



Small



Size	Latch Part Number		Lock Core Finish
	Locking (2 Flat Keys Supplied)	Non-locking	
Large	93-10-102-50	93-10-103-50	Black
	93-10-102-10	93-10-103-10	Bright
Small	93-10-202-50	93-10-203-50	Black
	93-10-202-10	93-10-203-10	Bright

Dimensions in millimeters (inch) unless otherwise stated