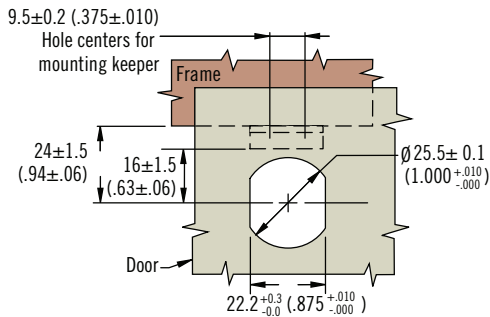
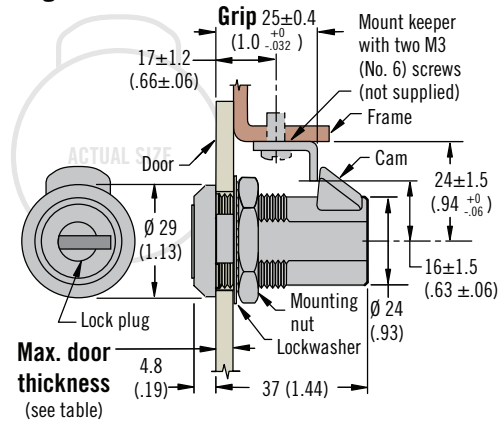


# 93 Push-to-Close Latch

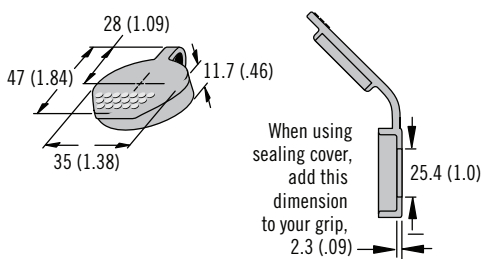
## Key actuated



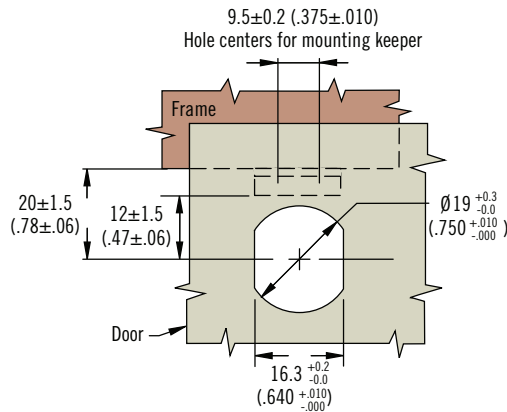
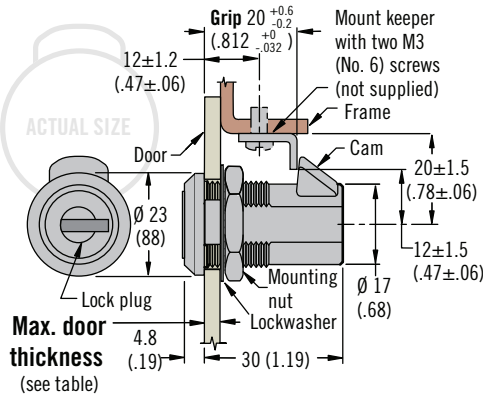
### Large



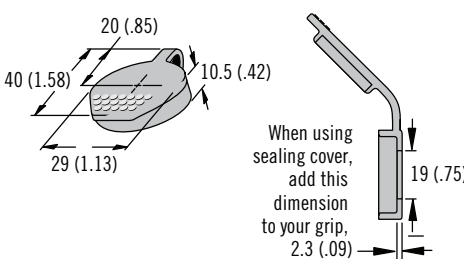
### Sealing Cover (optional)



### Small



### Sealing Cover (optional)



- Key only operation for access restriction
- Single hole installation

### Material and Finish

Latch: Zinc alloy, zinc plated or black powder coated

### Performance Details

Max. working load:

Large: 560 N (125 lbf)

Small: 330 N (75 lbf)

Operating temperature range:

-18°C (0°F) to 65°C (150°F)

Flammability rating: UL94-HB

### Installation Notes

Max. tightening torque on mounting nut: 7.9 N·m (70 in·lbf)

### Accessories

Flat key, keyed alike CH751 (2 keys per ring)

Part number: PK-10-01



Overmolded key, keyed alike CH751 (2 keys per ring)

Part number: PK-10-01-05



Pull tab (optional - large size only):

Part number:

In-line: 93-21-301-14

Perpendicular: 93-21-322-14

Keeper (replacement)

Part number: 93-14-101-11

### Part Number

See table

Size	Max. Door Thickness	Latch Part Number	Lock Core Finish	Sealing Cover (Optional) Part Number
		Locking Keyed Alike Ch751 (2 Flat Keys Supplied)		
Large	12.7 (.500)	93-10-101-10	Bright	90-4
Small	9.5 (.375)	93-10-201-50	Black	90-2
		93-10-201-10	Bright	