



# 91 Draw Latch

Under-center · Medium · Adjustable

- Adjustable grip
- Kick out feature disengages from keeper
- Secondary catch option to prevent accidental opening

### Material and Finish

Stainless steel or steel, zinc plated

### Performance Details

Max. working load:

With 91-600 keeper:

1325 N (300 lbf)

With K4-2338 keeper:

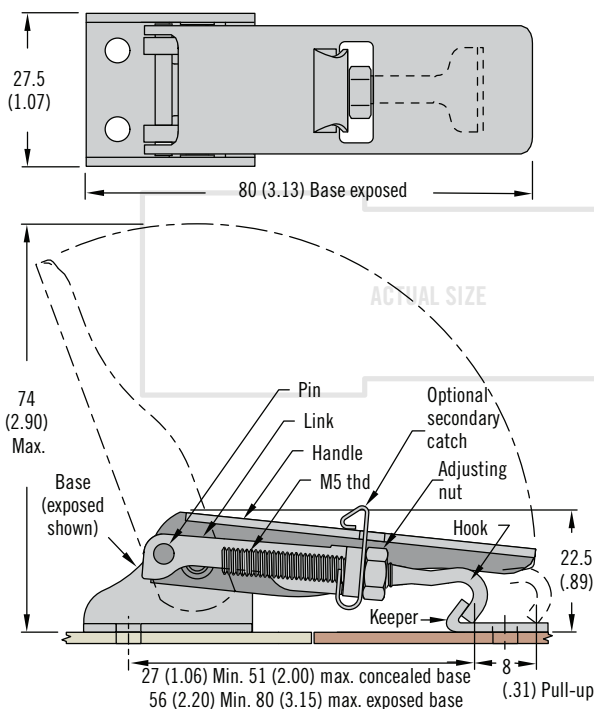
1550 N (350 lbf)

### Installation Notes

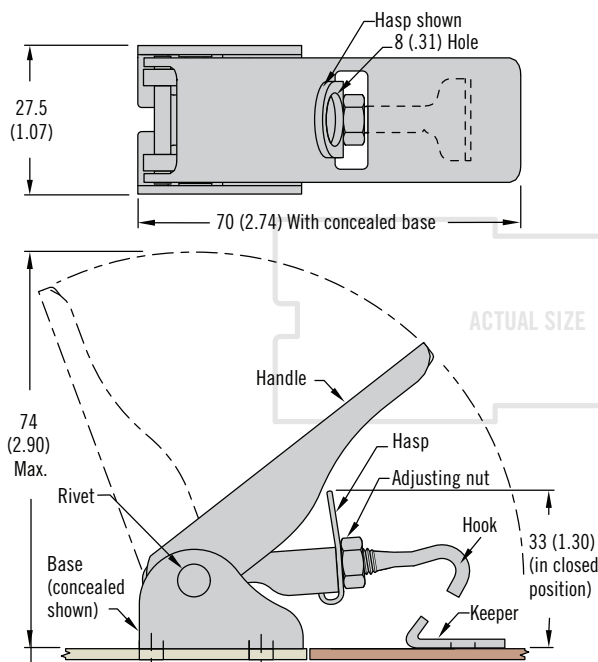
M4 (No. 8) screws (not supplied)

### Latch

Exposed Base (Secondary catch option shown)

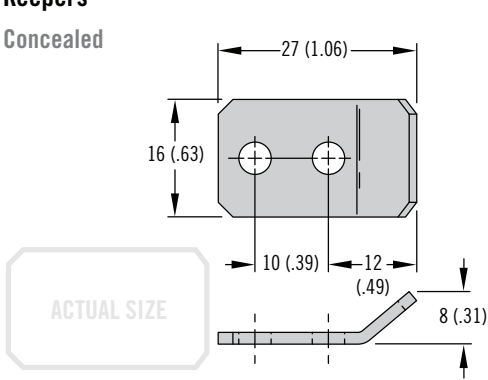


Concealed Base (Hasp option shown)

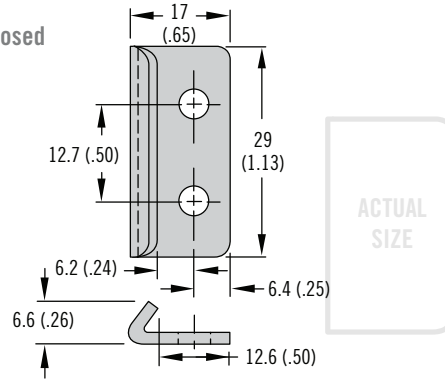


**Keepers**

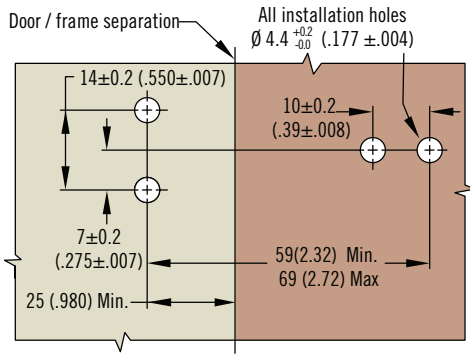
**Concealed**



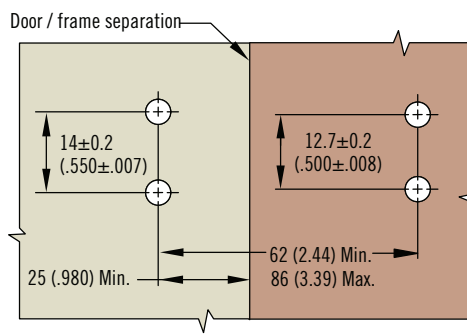
**Exposed**



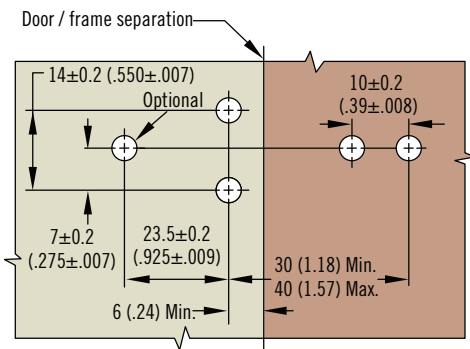
**Exposed Base and Concealed Keeper**



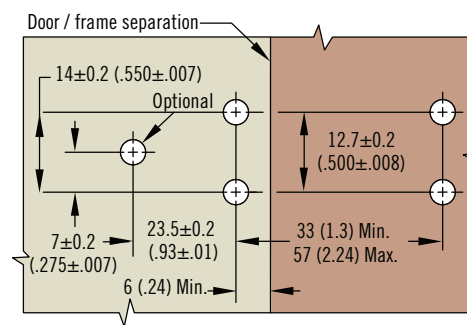
**Exposed Base and Exposed Keeper**



**Concealed Base and Concealed Keeper**



**Concealed Base and Exposed Keeper**



**B Base type**

- 1 Concealed
- 2 Concealed with secondary catch
- 3 Concealed with padlock hasp
- 5 Exposed
- 6 Exposed with secondary catch
- 7 Exposed with padlock hasp

**F Finish**

- 07 Steel, zinc plated
- 52 Stainless steel

91 - 5 **B** 2 - **F**

**Part Number Selection**

Order latch and keeper separately  
 For latch part number see builder  
 For keeper part number see table

Finish	Keeper Part Number	
	Concealed	Exposed
Steel	91-600-07	K4-2338-07
Stainless Steel	91-600-52	K4-2338-52
Stainless Steel, Black	91-600-63	K4-2338-63