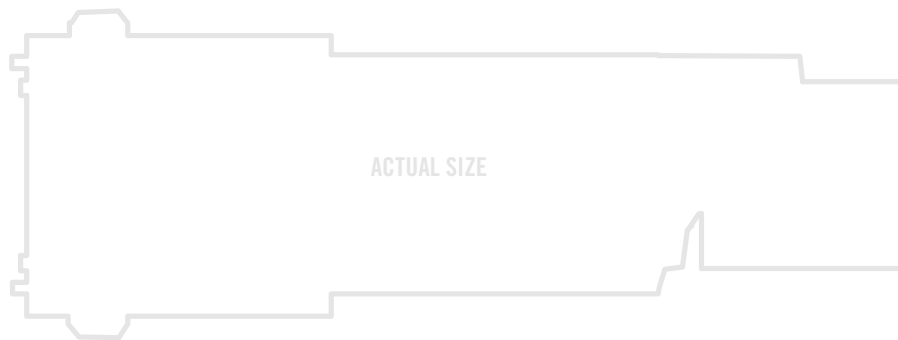
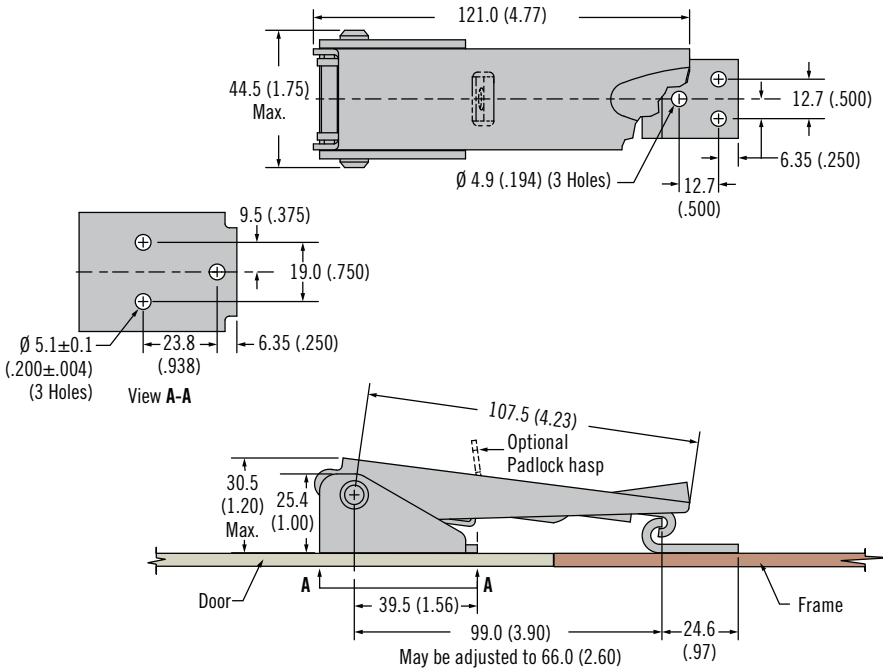


91 Draw Latch

Under-center · Heavy-duty · Adjustable



• Adjustable grip

Material and Finish

Stainless steel

Performance Details

Max. working load: 3560 N (800 lbf)

Installation Notes

Install assembly with M4 (No. 10) screws (not supplied)



Type	Part Number
Standard Latch	91-812-52
Latch with Padlock Hasp	91-832-52

Part Number

See table

Assembly complete with keeper