

68 Cam Latch

Small · T-Handle · Adjustable grip

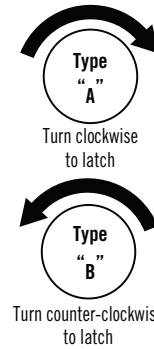
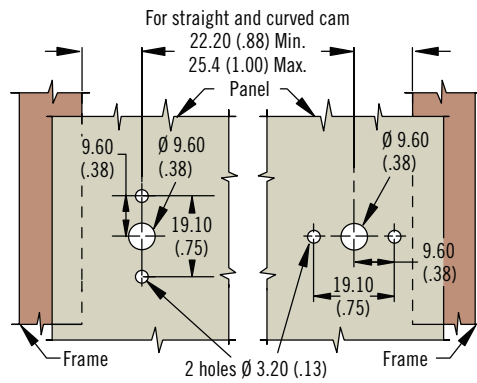
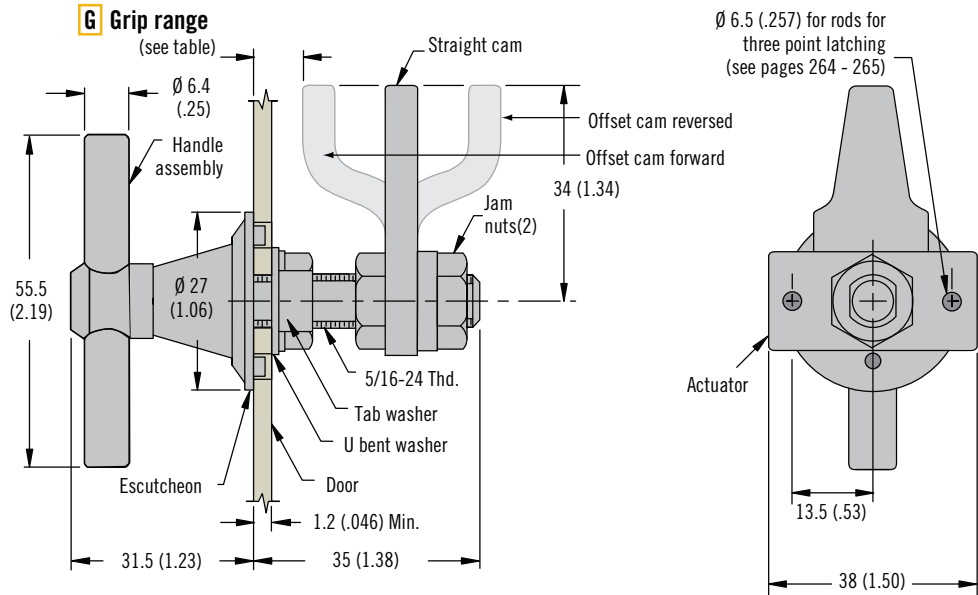
Robust design

Material and Finish

Zinc alloy and steel, zinc plated

Performance Details

Max. static load: 1100 N (250 lbf)



Part Number Selection

68 - 50 - 30 **G** - **F**

Grip	Min.	Max.	Cam Type
1	0 (0)	12.7 (.50)	Offset cam forward position
	25.4 (1.00)	38 (1.50)	Offset cam reversed position
2	12.7 (.50)	25.4 (1.00)	Straight cam

F Finish
 10 Chemical protective film
 20 Chrome plated

Dimensions in millimeters (inch) unless otherwise stated