



# 68 Cam Latch

Medium · Folding bail handle · Adjustable grip

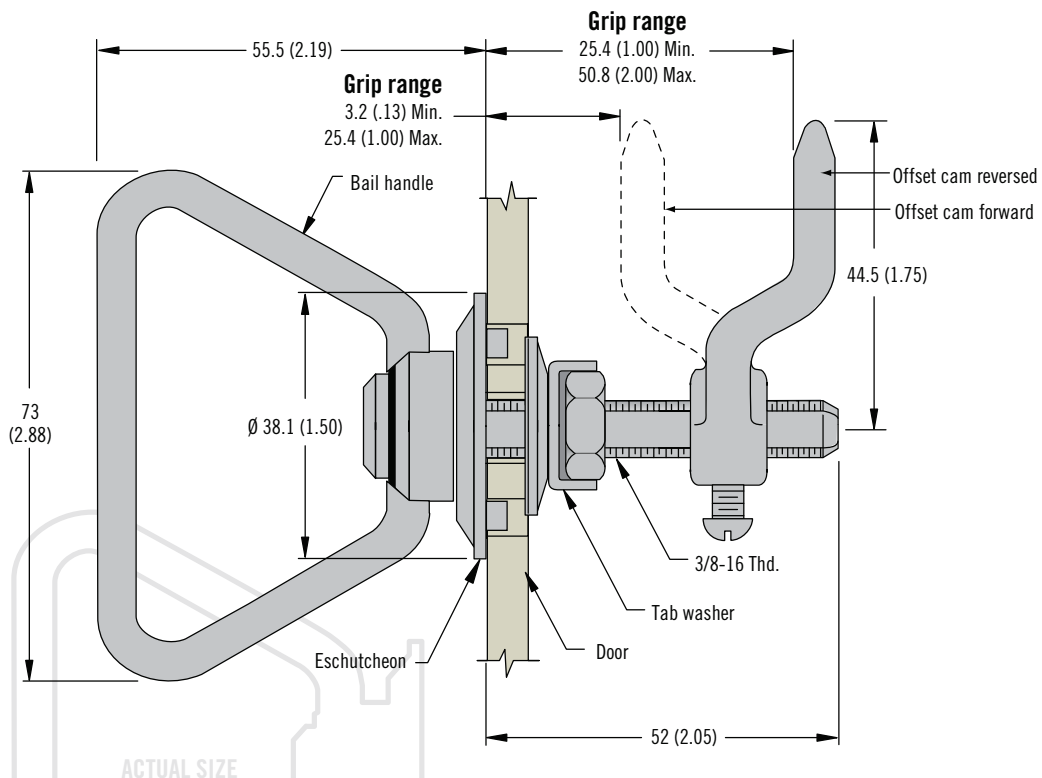
- Robust design
- 90° rotation

### Material and Finish

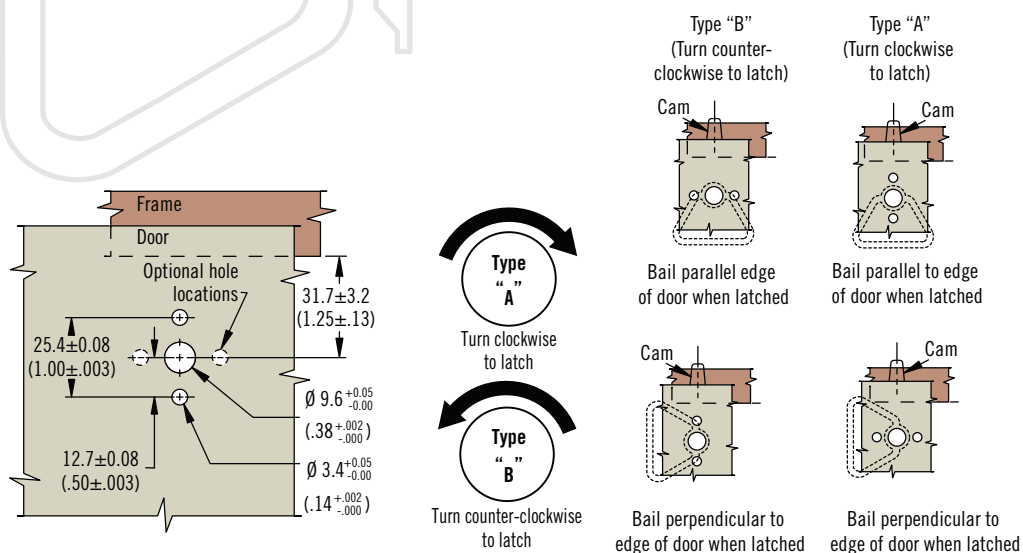
Zinc alloy and steel, zinc plated

### Performance Details

Max. static load 890 N (200 lbf)



### Bail Handle Orientation and Operation (Shown in latched position)



### Part Number Selection

68 - 20 - 101 - **F**

- F** Finish
- 10 Zinc plate bright chromate
  - 20 Chrome plated