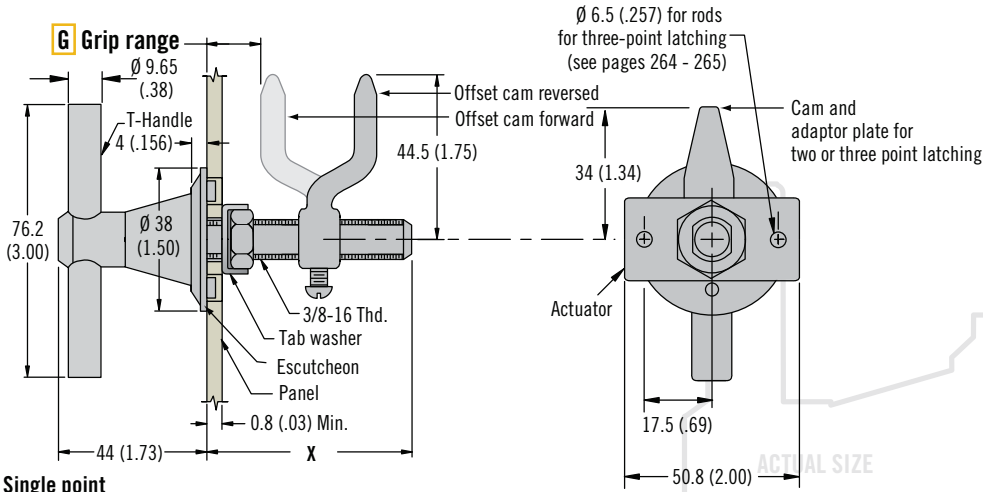
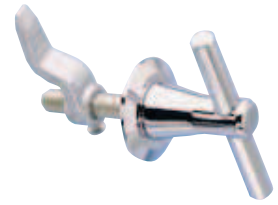


68 Cam Latch

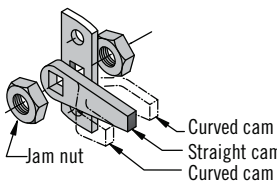
Medium · T-Handle · Adjustable grip



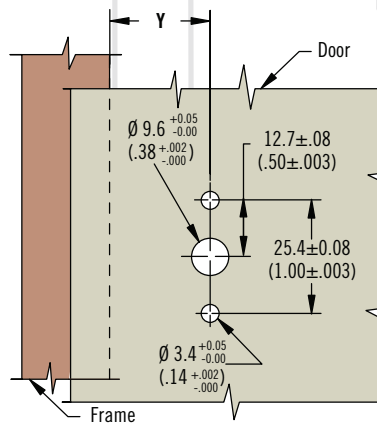
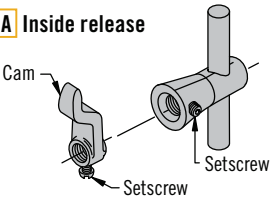
A Single point



A Three point



A Inside release



- Robust design
- Optional internal actuation

Material and Finish

Zinc alloy and steel, zinc plated

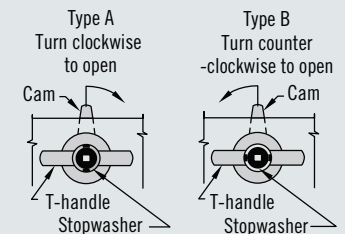
Performance Details

Max. static load: 1100 N (250 lbf)

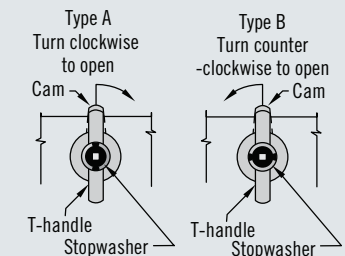
Installation Notes

T-handle orientation and operation:

1. Handle parallel to the edge of door



2. Handle perpendicular to edge of door



Part Number Selection

A Assembly

- 1 Single point
- 3 Three point
- 4 Inside release

68 - 10 - A 0 G - F

F Finish

- 10 Zinc plate bright chromate
- 20 Chrome plated

Assembly	G Grip	Grip Range		X	Y	Cam Type
		Min.	Max.			
Single point	1	3.2 (.13)	25.4 (1.00)	46.4 (1.83)	31.8±3.2 (1.25±.13)	Offset cam forward position
		25.4 (1.00)	50.8 (2.00)			Offset cam reversed position
Three point	1	1.6 (.06)	19.8 (.78)		28.6±1.6 (1.13±.06)	Offset cam forward position
		14.3 (.56)	32.5 (1.28)			Offset cam reversed position
Three point	2	27 (1.06)	45.2 (1.78)		Straight cam	
		Inside release	1	3.2 (.13)	25.4 (1.00)	65 (2.56)
25.4 (1.00)	50.8 (2.00)			Offset cam reversed position		

