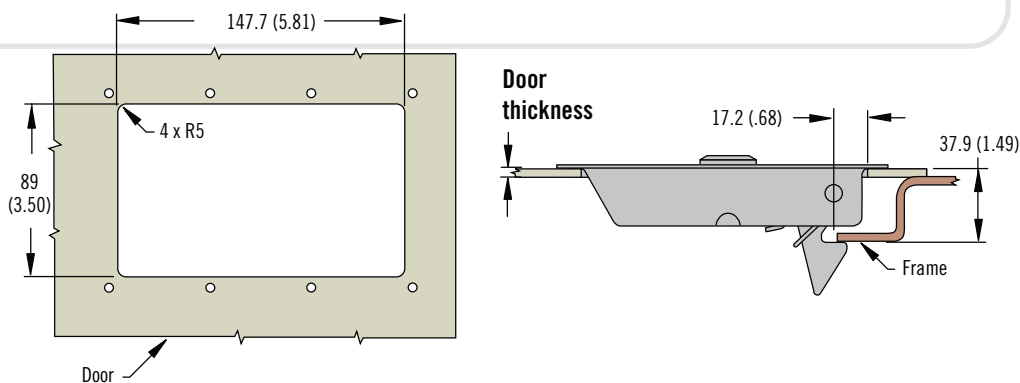
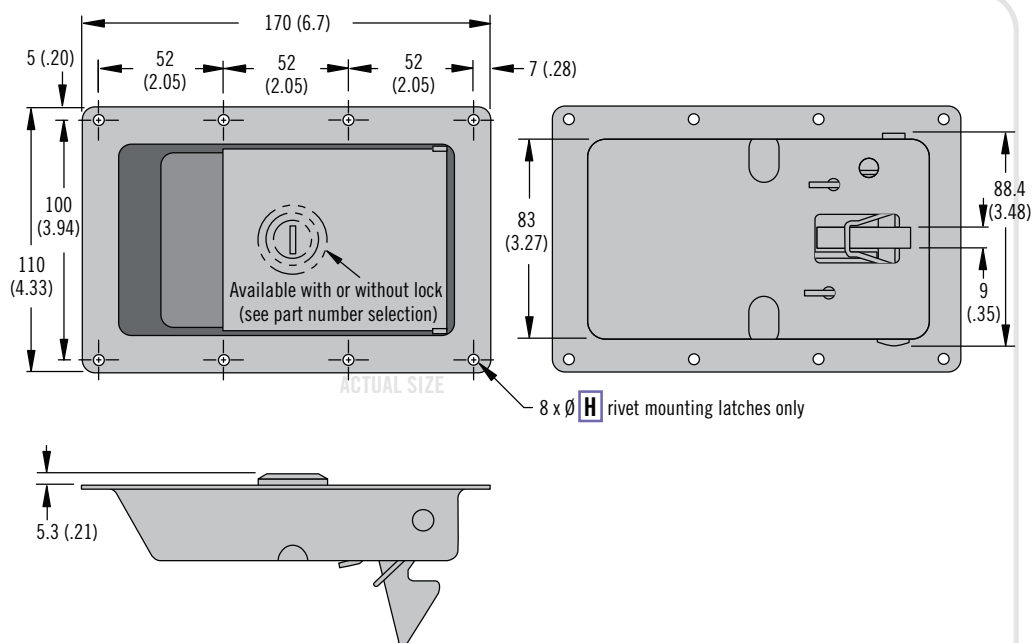


64 Push-to-Close Latch

Pull-to-open · Paddle latch · Heavy-duty pivot



- Robust design resists binding from dirt and debris
- Multiple mounting styles

Material and Finish

Steel, zinc plated or black powder coated

Slide bolt and lock assembly:
Zinc plated or powder coated

Performance Details

Max. working load: 2700 N (607 lbf)

Accessories

Flat key, keyed alike 14603
(2 keys per ring)

Part number: PK-10-01-14603



Part Number Selection

64 - 60 - 5 L H - M

L Lock style
 0 Non-locking
 1 Key-locking keyed alike 14603 (2 keys supplied)

H Housing
 0 Weld
 1 Rivet through hole 4.9 (.19)
 2 Rivet through hole 5.2 (.20)

M Material
 10 Steel, zinc plated
 50 Steel, black powder coated



Dimensions in millimeters (inch) unless otherwise stated



www.southco.com/64