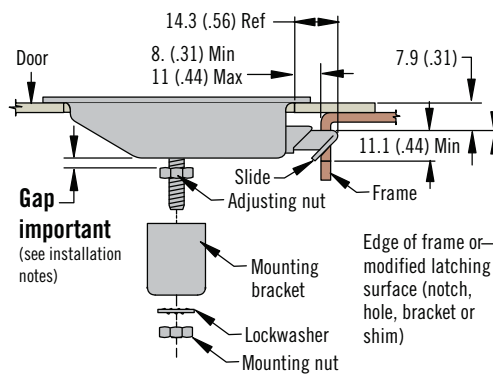
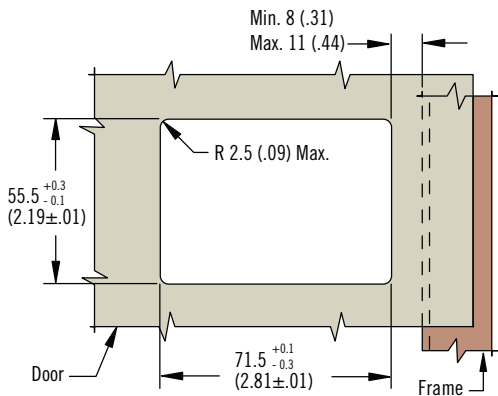
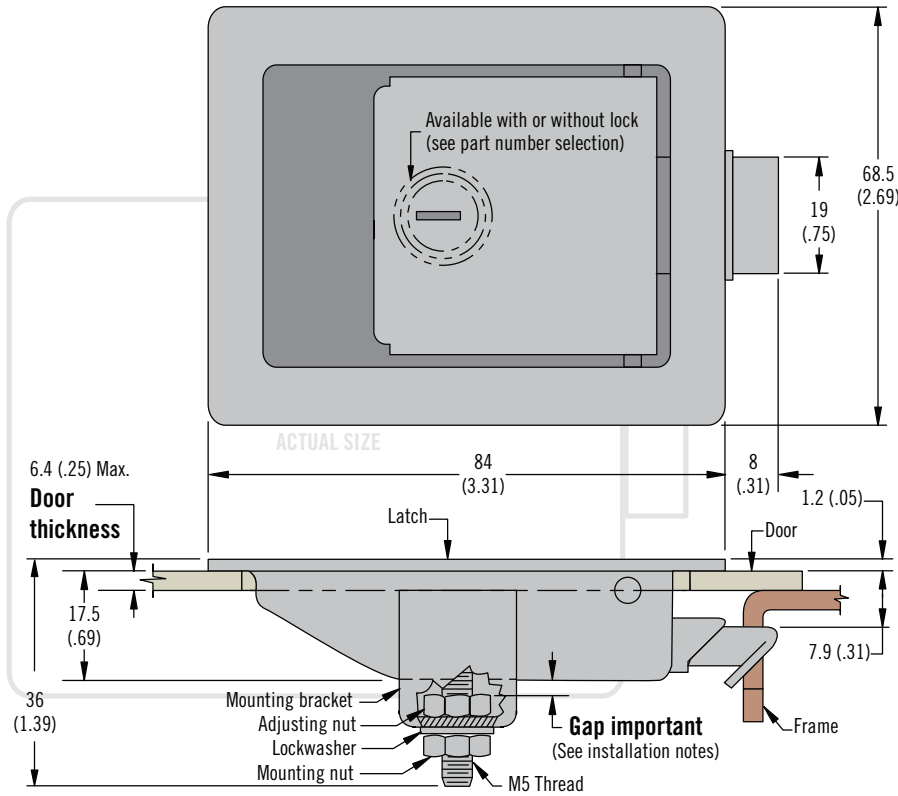


# 64 Push-to-Close Latch

Pull-to-open · Paddle latch · Medium



- Single hole installation
- Concealed mounting
- Metal slide

### Material and Finish

Stainless steel brushed, steel, zinc plated or steel, black powder coated or silver

### Performance Details

Max. working load:  
570 N (125 lbf)

### Installation Notes

Measure your door thickness and set adjusting nut so that GAP is equal to door thickness within plus 0.8 (.03), minus 0.0 (.00).

### Accessories

Flat key, keyed alike H257  
(2 keys per ring)  
Part number: 64-0-33578

### Part Number Selection

64 - 2 **L** - 1 **M**

- L** Lock style
- 1 Non-locking
  - 2 Key-locking keyed alike H257 (2 keys supplied)

- M** Material
- 0 Stainless steel, brushed
  - 1 Steel, black powder coated
  - 3 Steel, zinc plated
  - 5 Steel, powder coated silver



Dimensions in millimeters (inch) unless otherwise stated



[www.southco.com/64](http://www.southco.com/64)