



64 Push-to-Close Latch

Pull-to-open · Paddle latch · Large

- Single hole installation
- Concealed mounting
- Metal slide

Material and Finish

Stainless steel, brushed, steel, zinc plated or steel, black powder coated

Performance Details

Max. working load: 1110 N (250 lbf)

Installation Notes

Measure your door thickness and set adjusting nut so that GAP is equal to door thickness within plus 0.8 (.03), minus 0.0 (.00)

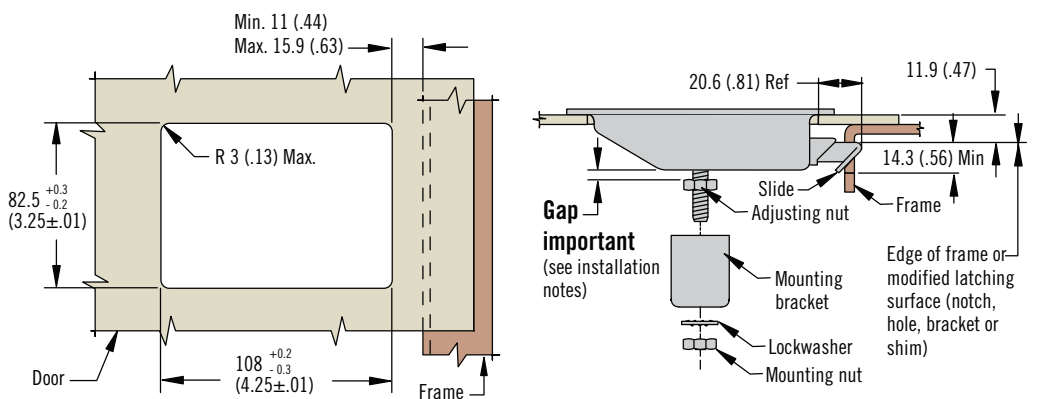
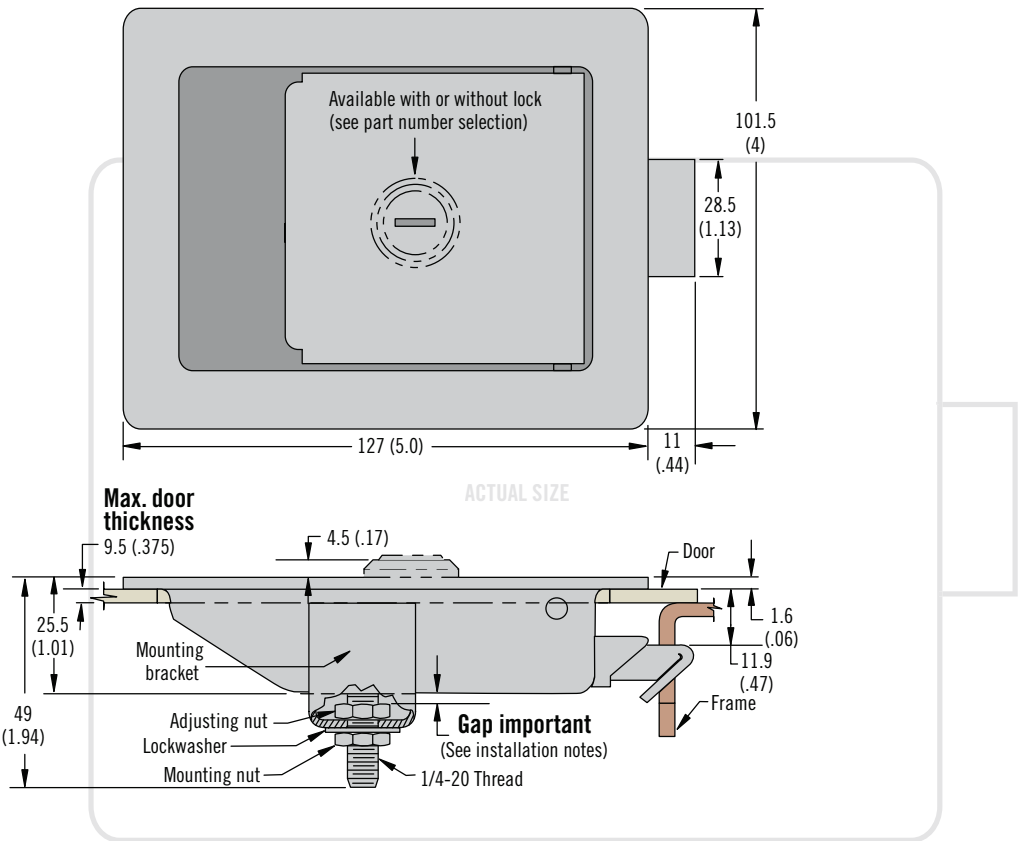
Accessories

Flat key, keyed alike CH751 (2 keys per ring)
Part number: PK-10-01



Overmolded key, keyed alike CH751 (2 keys per ring)

Part number: PK-10-01-05



Part Number Selection

64 - 10 - 30 **L** - **M** 0

- L** Lock style
- 1 Non-locking
 - 2 Key-locking keyed alike H257 (2 keys supplied)

- M** Material
- 4 Steel, zinc plated
 - 5 Stainless steel brushed
 - 9 Steel, black powder coated