

# 64 Push-to-Close Latch

Pull-to-open · Paddle latch · Miniature

- Single hole installation
- Concealed mounting
- Plastic slide

### Material and Finish

Stainless steel passivated and brushed finish and glass reinforced nylon, black

### Performance Details

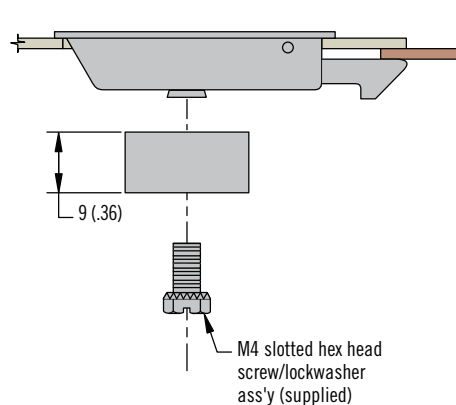
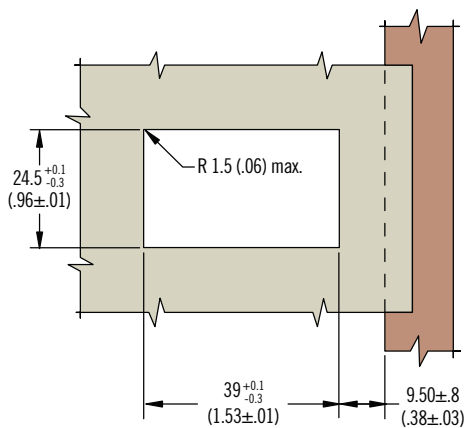
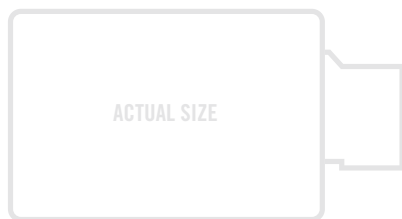
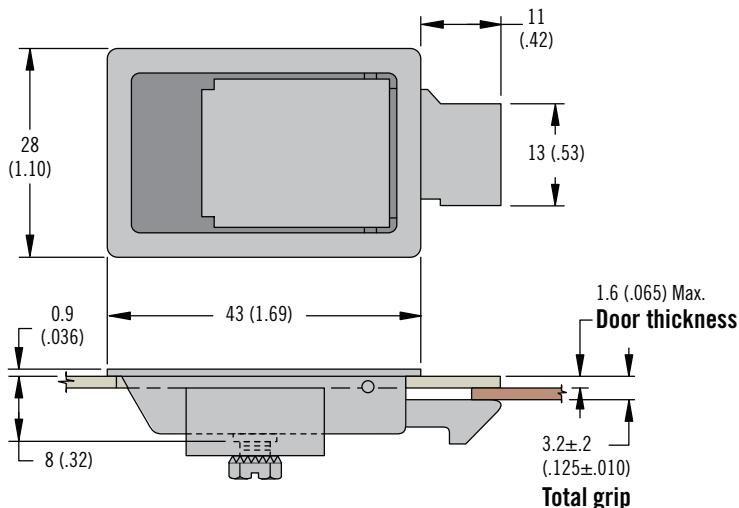
Max. working load:  
90 N (20 lbf)

Operating temperature range:  
-18°C (0°F) to 100°C (210°F)

Flammability rating: UL94-V0

### Installation Notes

Max. tightening torque on mounting screws: 0.9 N·m (8 in·lbf)



### Part Number

See table

Part Number
64-01-10



[www.southco.com/64](http://www.southco.com/64)

Dimensions in millimeters (inch) unless otherwise stated