



62 Compression Latch

Small · Lift & turn series · Flush style · Adjustable grip

- Low profile when latched
- Easy grip adjustment
- Intuitive operation

Material and Finish

Zinc alloy, powder coated or chrome plated and steel, zinc plated

Performance Details

Max. static load: 220N (50 lbf)

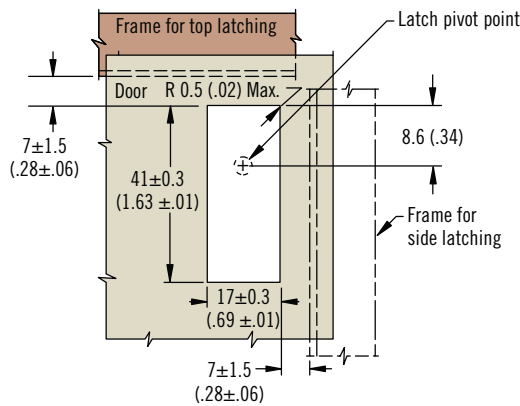
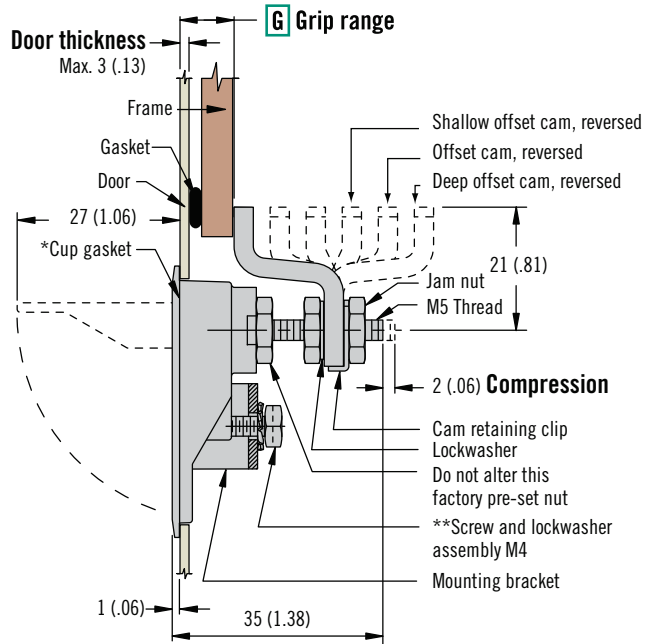
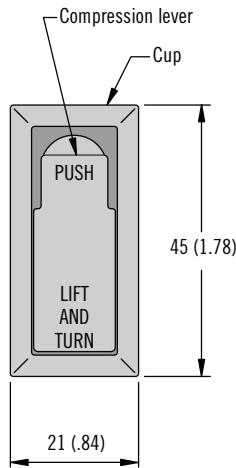
Sealing Notes

*Environmental sealing is achieved by using dust and moisture sealed option and sealing the mounting screw threads.

Installation Notes

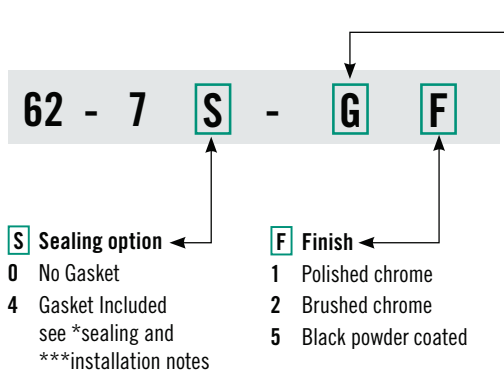
**Screw and lockwasher assembly M4 x 10. For door thickness greater than 3 (.11) calculate screw length using the following formula:
Door thickness + 7 (.28)

***Add 0.4 (.02) to door thickness when using cup gasket



ACTUAL SIZE

Part Number Selection



Grip	Min.	Max.	Cam Type
1	4.5 (.17)	10.5 (.41)	Deep offset cam, forward
	34.5 (1.35)	40.5 (1.59)	Deep offset cam, reversed
2	10.5 (.41)	16.5 (.65)	Offset cam forward
	28.5 (1.12)	34.5 (1.35)	Offset cam reverse
3	16.5 (.65)	22.5 (.88)	Shallow offset cam, forward
	22.5 (.88)	28.5 (1.12)	Shallow offset cam, reversed