



## 27 · 48 · Compression Latches

Self-adjusting · Single hole mount

- Two sizes available
- Easy grip adjustment
- Multiple head styles

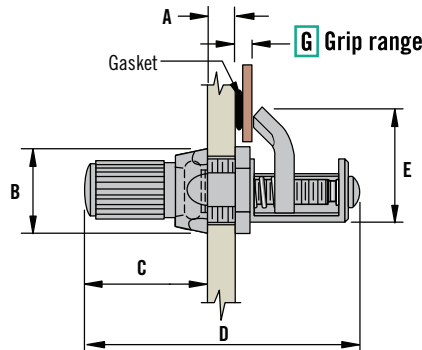
### Material and Finish

Steel, zinc plated or stainless steel

### Performance Details

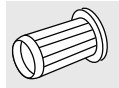
27 Working load: 155 N (35 lbf)

48 Working load: 220 N (50 lbf)

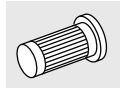


Size	A	B	C	D	E
27 Series Miniature	4.8 (.19) Max.	10.3 (.41) Max.	17.5 (.69) Max.	31.8 (1.25)	13.9 (.55)
48 Series Small	4.8 (.19) Max.	21 (.81) Max.	19 (.75) Max.	44 (1.73)	25.3 (.99)

Nylon knob



Knurled



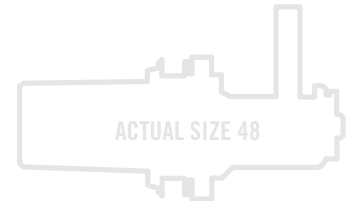
Slotted



Hex recess



Phillips recess



### 27 Series · Miniature

Material	Grip Range		Knurled	Slotted	Hex Recess	Nylon Knob
	Min.	Max.				
Steel	0.8 (.03)	7.1 (.28)	27-99-123-10 *	27-10-501-10 *	27-10-701-10 *	27-10-311-10 *
Stainless steel	0.8 (.03)	7.1 (.28)	27-99-123-20 *	27-10-501-20 *	27-10-701-20 *	27-10-311-20 *

\* all part numbers shown are for clockwise rotation. For specification and ordering details visit: [www.southco.com/27](http://www.southco.com/27)

### 48 Series · Small

Material	Grip Range		Nylon Knob	Slotted	Hex Recess	Phillips Recess
	Min.	Max.				
Steel	2.4 (.09)	9.5 (.38)	48-10-401-10	48-11-R	48-81-R	48-91-R
Steel	8.7 (.34)	15.9 (.63)	48-10-402-10	48-12-R	48-82-R	48-92-R
Steel	15.1 (.59)	22.2 (.88)	48-10-403-10	48-13-R	48-83-R	48-93-R

For specification and ordering details visit: [www.southco.com/48](http://www.southco.com/48)

Other options available. For complete details on variety, part numbers, installation and specification, go to



[www.southco.com/27](http://www.southco.com/27)  
[www.southco.com/48](http://www.southco.com/48)

Dimensions in millimeters (inch) unless otherwise stated

**southco**  
 CONNECT · CREATE · INNOVATE