



47 Captive Screws

Styled knob series · M5 thread size

- Designed for hand operation
- Spring ejected
- Wide variety of sizes, recesses and installation options

Material and Finish

Ferrule:

Press-in: Hardened carbon steel, zinc plate, chromate, plus sealer

Flare-in, floating and snap-in: Aluminum, natural

Knob: Aluminum, natural or black powder coated

Screw: Hardened carbon steel, zinc plated, chromate, plus sealer

Installation Notes

See pages 392 - 393, 497

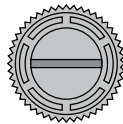
Notes



To ensure you receive **SOUTHCO**® quality parts, look for the segmented circle

Recess Styles

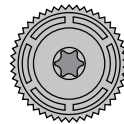
Slotted



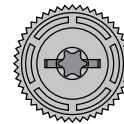
No. 2 Phillips



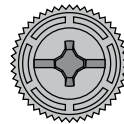
T25 TORX®



T25 TORX® / Slot Combination

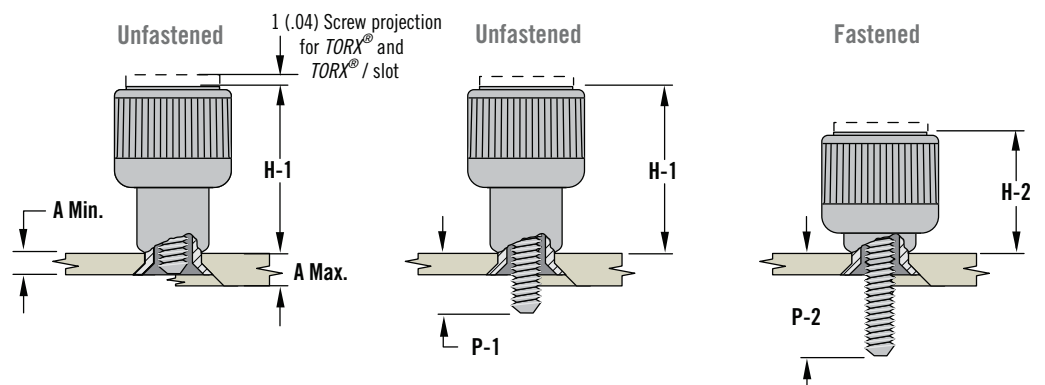


No. 2 Phillips / Slot Combination

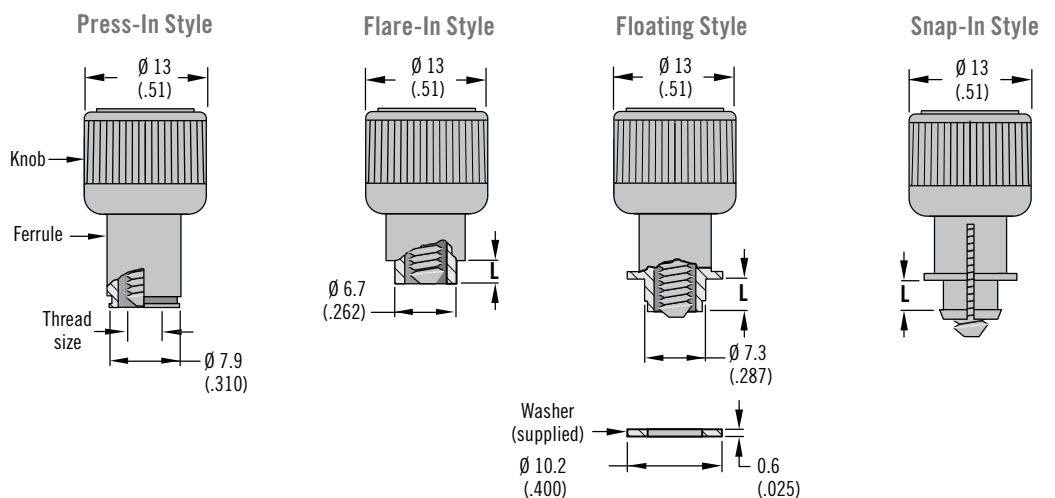


Knob Height and Screw Projection

(Flare-in style shown)



Installation Styles



TORX® is a registered trademark of Acument™ Intellectual Properties, LLC

Dimensions in millimeters (inch) unless otherwise stated

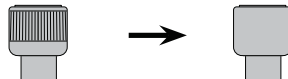
Installation Style	Knob Height		Outer Panel Dimensions			Total Float	Flange Length L	Screw Projection Beyond Outer Surface of Panel		Part Number				
	H-1	H-2	A Min.	A Max.	B			P-1	P-2	Slotted Recess	Phillips Recess	TORX® Recess	TORX® / Slot Combination	Phillips / Slot Combination
	Press-In Style	16.2 (.64)	11.3 (.45)	0.9 (.036)	~			~	0.6 (.02)	~	0.6 (.024)	5.5 (.22)	47-90-501-24	47-90-521-24
Flare-In Style	15.6 (.61)	10.5 (.41)	1.5 (.058)	3.2 (.125)	0.4 (.015)	0.6 (.02)	1.8 (.070)	1.2 (.05)	6.3 (.25)	47-80-502-14	47-80-522-14	47-80-542-10	47-80-562-10	47-80-582-10
			3.2 (.126)	4.8 (.189)	1.6 (.062)		3.4 (.135)	2.8 (.11)	7.9 (.31)	47-80-504-14	47-80-524-14	47-80-544-10	47-80-564-10	47-80-584-10
			4.8 (.189)	6.4 (.250)	3.2 (.125)		5 (.197)	4.4 (.17)	9.5 (.37)	47-80-506-14	47-80-526-14	47-80-546-10	47-80-566-10	47-80-586-10
			6.3 (.251)	7.9 (.312)	4.8 (.189)		6.6 (.260)	6 (.24)	11.1 (.44)	47-80-508-14	47-80-528-14	47-80-548-10	47-80-568-10	47-80-588-10
			1.5 (.058)	3.2 (.125)	0.4 (.015)		1.8 (.070)	2.8 (.11)	7.9 (.31)	47-81-502-14	47-81-522-14	47-81-542-10	47-81-562-10	47-81-582-10
			3.2 (.126)	4.8 (.189)	1.6 (.062)		3.4 (.135)	4.4 (.17)	9.5 (.37)	47-82-502-14	47-82-522-14	47-82-542-10	47-82-562-10	47-82-582-10
			4.8 (.189)	6.4 (.250)	3.2 (.125)		5 (.197)	6 (.24)	11.1 (.44)	47-83-502-14	47-83-522-14	47-83-542-10	47-83-562-10	47-83-582-10
			6.3 (.251)	7.9 (.312)	4.8 (.189)		6.6 (.260)	6 (.24)	11.1 (.44)	47-81-504-14	47-81-524-14	47-81-544-10	47-81-564-10	47-81-584-10
			1.5 (.058)	3.2 (.125)	0.4 (.015)		1.8 (.070)	4.4 (.17)	9.5 (.37)	47-82-504-14	47-82-524-14	47-82-544-10	47-82-564-10	47-82-584-10
			3.2 (.126)	4.8 (.189)	1.6 (.062)		3.4 (.135)	6 (.24)	11.1 (.44)	47-81-506-14	47-81-526-14	47-81-546-10	47-81-566-10	47-81-586-10
Floating Style	16 (.63)	11.2 (.44)	~	0.8 (.031)	2.3 (.090)	2.3 (.09)	3.2 (.127)	2.4 (.09)	7.2 (.28)	47-80-510-14	47-80-530-14	47-80-550-10	47-80-570-10	47-80-590-10
			0.8 (.031)	1.6 (.063)	3.1 (.121)		4 (1.58)	4 (.16)	8.8 (.35)	47-81-510-14	47-81-530-14	47-81-550-10	47-81-570-10	47-81-590-10
			1.6 (.063)	2.4 (.094)	3.9 (.153)		4.8 (.190)	4 (.16)	8.8 (.35)	47-82-510-14	47-82-530-14	47-82-550-10	47-82-570-10	47-82-590-10
			0.8 (.031)	1.6 (.063)	3.1 (.121)		4 (1.58)	2.4 (.09)	7.2 (.28)	47-80-511-14	47-80-531-14	47-80-551-10	47-80-571-10	47-80-591-10
			1.6 (.063)	2.4 (.094)	3.9 (.153)		4.8 (.190)	4 (.16)	8.8 (.35)	47-81-511-14	47-81-531-14	47-81-551-10	47-81-571-10	47-81-591-10
			0.8 (.031)	1.6 (.063)	3.1 (.121)		4 (1.58)	5.6 (.22)	10.4 (.41)	47-82-511-14	47-82-531-14	47-82-551-10	47-82-571-10	47-82-591-10
Snap-In Style	15.7 (.62)	11.2 (.44)	0.5 (.020)	1 (.039)	2 (.079)	.9 (.04)	1.1 (.044)	1.1 (.04)	5.6 (.22)	47-90-510-14	47-90-530-14	47-90-550-10	47-90-570-10	47-90-590-10
			1 (.039)	1.6 (.063)	2.6 (.013)		1.1 (.044)	2.7 (.11)	7.2 (.28)	47-91-510-14	47-91-530-14	47-91-550-10	47-91-570-10	47-91-590-10
			1.6 (.063)	2.5 (.098)	3.5 (.138)		1.1 (.044)	4.3 (.17)	8.8 (.35)	47-92-510-14	47-92-530-14	47-92-550-10	47-92-570-10	47-92-590-10
			0.5 (.020)	1 (.039)	2 (.079)		1.1 (.044)	5.9 (.23)	10.4 (.41)	47-93-510-14	47-93-530-14	47-93-550-10	47-93-570-10	47-93-590-10
			1 (.039)	1.6 (.063)	2.6 (.013)		1.7 (.068)	2.7 (.11)	7.2 (.28)	47-90-512-14	47-90-532-14	47-90-552-10	47-90-572-10	47-90-592-10
			1.6 (.063)	2.5 (.098)	3.5 (.138)		1.7 (.068)	4.3 (.17)	8.8 (.35)	47-91-512-14	47-91-532-14	47-91-552-10	47-91-572-10	47-91-592-10
			0.5 (.020)	1 (.039)	2 (.079)		1.7 (.068)	5.9 (.23)	10.4 (.41)	47-92-512-14	47-92-532-14	47-92-552-10	47-92-572-10	47-92-592-10
			1 (.039)	1.6 (.063)	2.6 (.013)		2.6 (.103)	2.7 (.11)	7.2 (.28)	47-90-514-14	47-90-534-14	47-90-554-10	47-90-574-10	47-90-594-10
			1.6 (.063)	2.5 (.098)	3.5 (.138)		2.6 (.103)	4.3 (.17)	8.8 (.35)	47-91-514-14	47-91-534-14	47-91-554-10	47-91-574-10	47-91-594-10
			0.5 (.020)	1 (.039)	2 (.079)		2.6 (.103)	5.9 (.23)	10.4 (.41)	47-92-514-14	47-92-534-14	47-92-554-10	47-92-574-10	47-92-594-10
			1 (.039)	1.6 (.063)	2.6 (.013)		2.6 (.103)	5.9 (.23)	10.4 (.41)	47-90-514-14	47-90-534-14	47-90-554-10	47-90-574-10	47-90-594-10
			1.6 (.063)	2.5 (.098)	3.5 (.138)		2.6 (.103)	5.9 (.23)	10.4 (.41)	47-91-514-14	47-91-534-14	47-91-554-10	47-91-574-10	47-91-594-10

Part numbers in shaded rows (shown in table) are fully retracting in minimum panel thickness



To add a black powder coated finish, change the part number from the table as shown:

- Change 1 to 5: 47-80-102-14
47-80-102-54
- Change 2 to 6: 47-80-102-24
47-80-102-64



For a smooth knob, change the part number from the table as shown:

- Change 0 to 1: 47-90-161-20
47-90-161-21
- Change 4 to 5: 47-90-101-24
47-90-101-25

Part Number

See table

All screw part numbers shown in table are for a natural knob finish and a knurled knob

For black finish and smooth knob options, minimums may apply