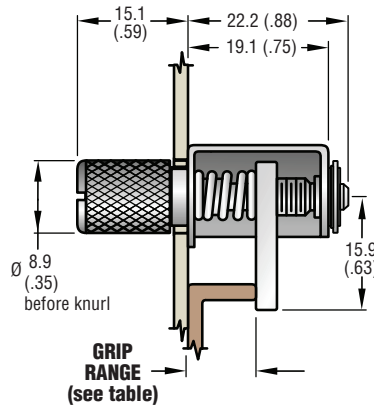
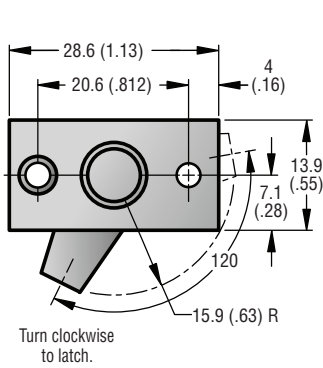


Southco® Compression Latches

Small Size

- Three-hole mount
- An extra turn adjusts the amount of compression applied
- Two actuation styles including hand and tool-operated

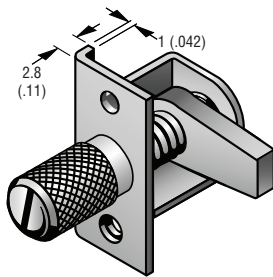


Material and Finish

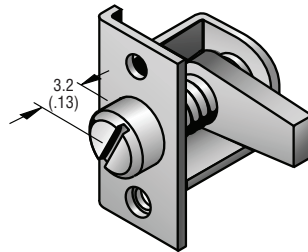
PAWL and RETAINING WASHER: 1010 Steel.
BUSHING: 12L14 Steel.
 The components listed above are zinc plated chromate plus sealer.
SPRING: 17-7PH Stainless steel, passivated.
CONICAL SPRING: 302 Stainless steel, passivated.
HOUSING: 1010 Steel, zinc plate, chromate plus sealer.
SCREW: 12L14 Steel, zinc plate, chromate plus sealer.

Head styles:

Slotted knurled head

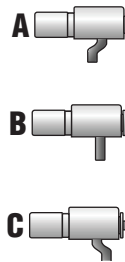


Slotted flush head



Pawl style and position (pre-assembled) determines grip range (see table).

STYLE	GRIP RANGE		PART NUMBERS	Pawl position
	MIN.	MAX.		
Slotted knurled head	3.2 (.125)	7.1 (.281)	43-1-4-0 •	A
	6.4 (.250)	13.5 (.531)	43-1-5-0 •	B
	12.7 (.500)	19.8 (.781)	43-1-6-0	C
Slotted flush head	3.2 (.125)	7.1 (.281)	43-1-13-0 •	A
	6.4 (.250)	13.5 (.531)	43-1-14-0 •	B
	12.7 (.500)	19.8 (.781)	43-1-15-0 •	C



Installation

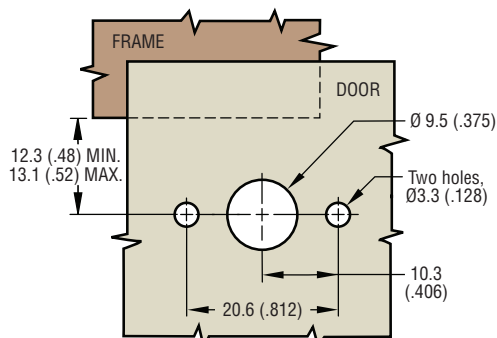
1. Prepare door.
2. Pass knob of latch through center hole and secure with two rivets or screws.

Product Strength Guidelines

(To assist in your product selection; samples are available for your evaluation.)

Maximum static load: 330 N (75 lbs.)
 Average ultimate load: 600 N (135 lbs.)

Panel preparation



millimeter (inch)
 millimeter (inch)

Dimensions without tolerances are for reference only.