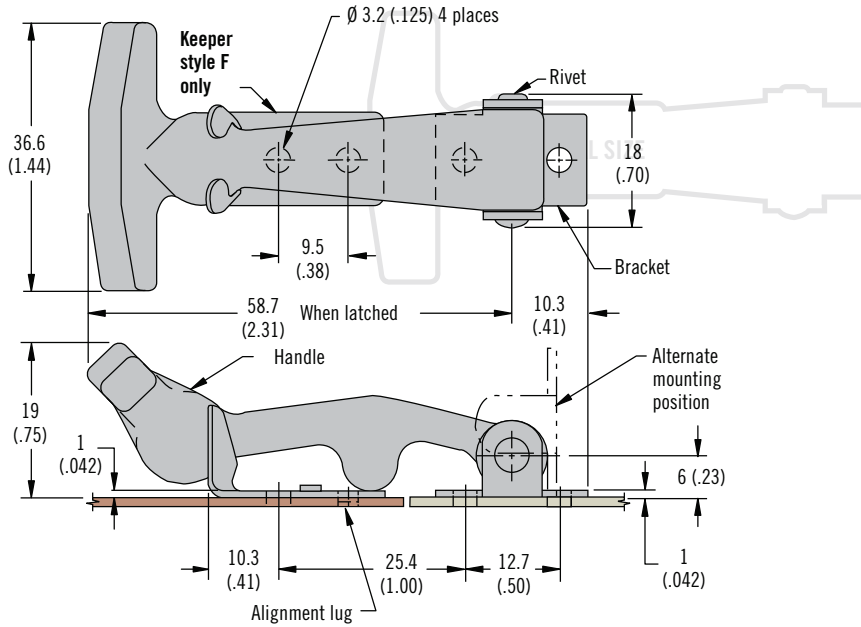


37 Draw Latch

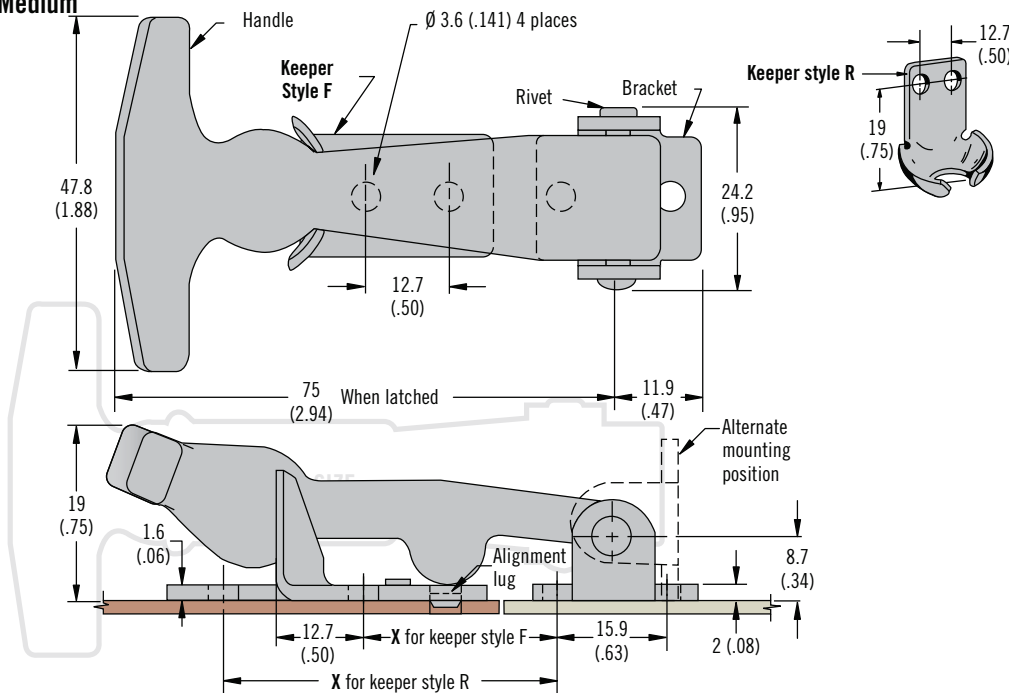
Flexible · Pull type · T-handle



Small



Medium



Small Size Part Number	
Steel	Stainless Steel
37-10-065-10	37-10-065-20

Medium Size Part Number				
Keeper Style	X	Latch Shipped Assembled		Latch Shipped Unassembled
		Steel	Stainless Steel	Steel
F	31.8 (1.25)	37-10-071-10	37-10-071-20	37-10-072-10
R	56.4 (2.22)	37-20-071-10	37-20-071-20	37-20-072-10

- Flexible one piece molded latch

Material and Finish

EPDM rubber and stainless steel or steel, zinc plated

Performance Details:

Average clamping force:

Small: 26 N (6 lbf)

Medium: 39 N (8.7 lbf)

Operating temperature range:

-20°C (0°F) to 95°C (200°F)

Installation Notes

Small:

Install assembly with four $\varnothing 3$ (.125) rivets or M3 (No. 4) screws (not supplied)

Medium:

Install assembly with four $\varnothing 3.6$ (.141) flat head rivets or M3.5 (No. 5) screws (not supplied)