



37 Draw Latch

Flexible · Pull type · Tab handle

- Flexible one piece molded latch

Material and Finish

Small:

EPDM rubber and stainless steel

Medium:

EPDM rubber and steel, zinc plated

Performance Details

Small:

Average clamping force:

20.9 N (4.7 lbf)

Medium:

Average clamping force:

26.2 N (5.9 lbf)

Operating temperature range:

-20°C (0°F) to 95°C (200°F)

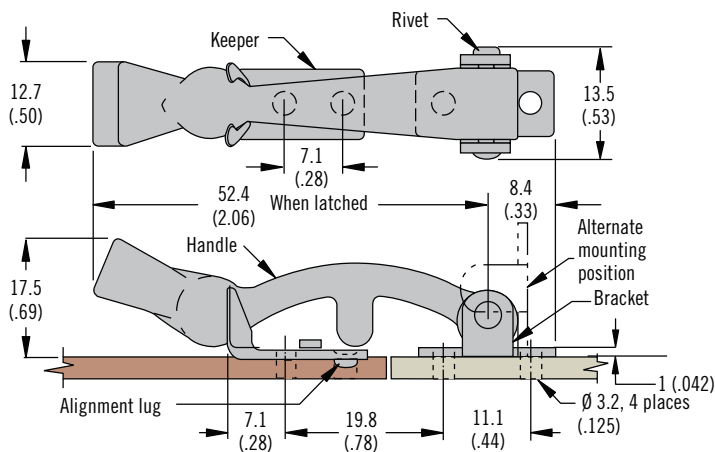
Installation Notes

Install assembly with four $\varnothing 3$ (.125)

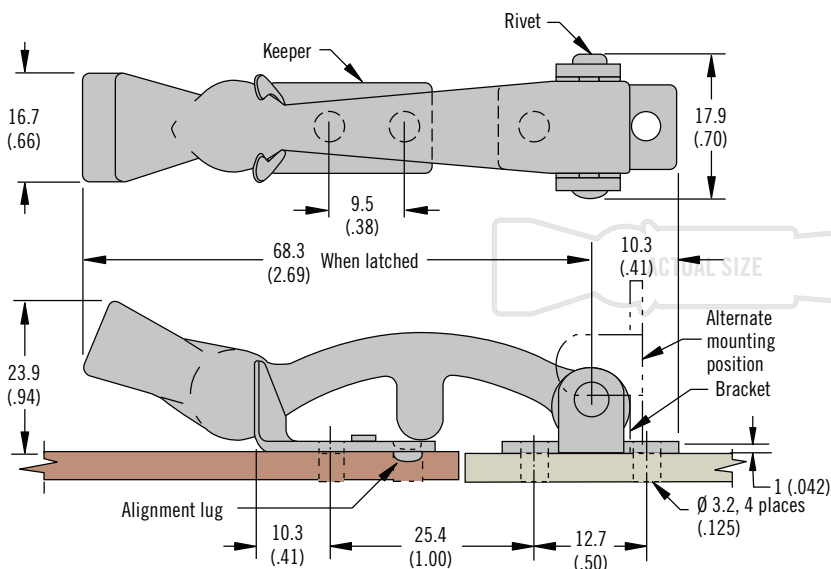
rivets or M3 (No. 4) screws

(not supplied)

Small



Medium



Part Number

See table

Assembly complete with keeper

Part Number		
Series	Steel	Stainless Steel
Small	~	37-10-051-20
Medium	37-10-061-10	~

Dimensions in millimeters (inch) unless otherwise stated