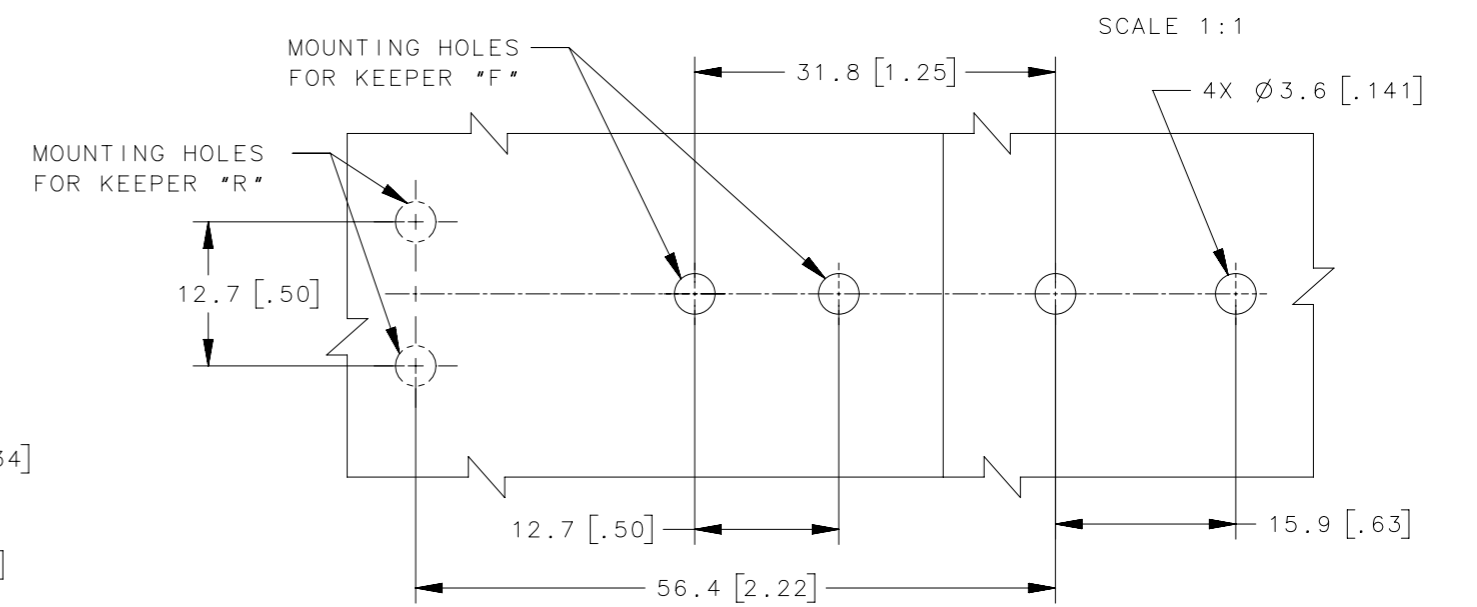
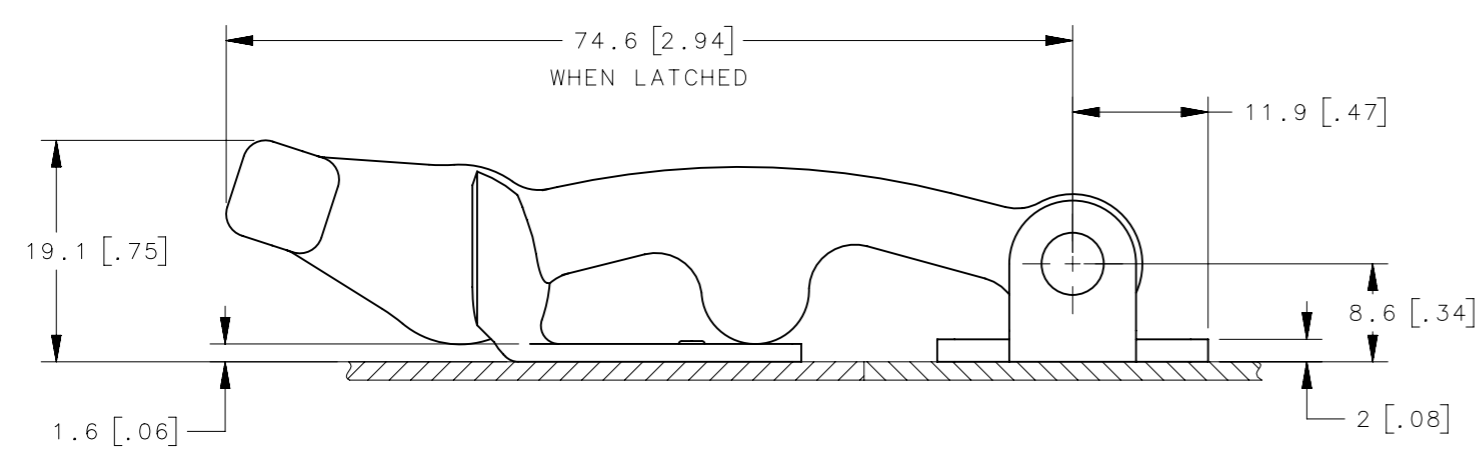
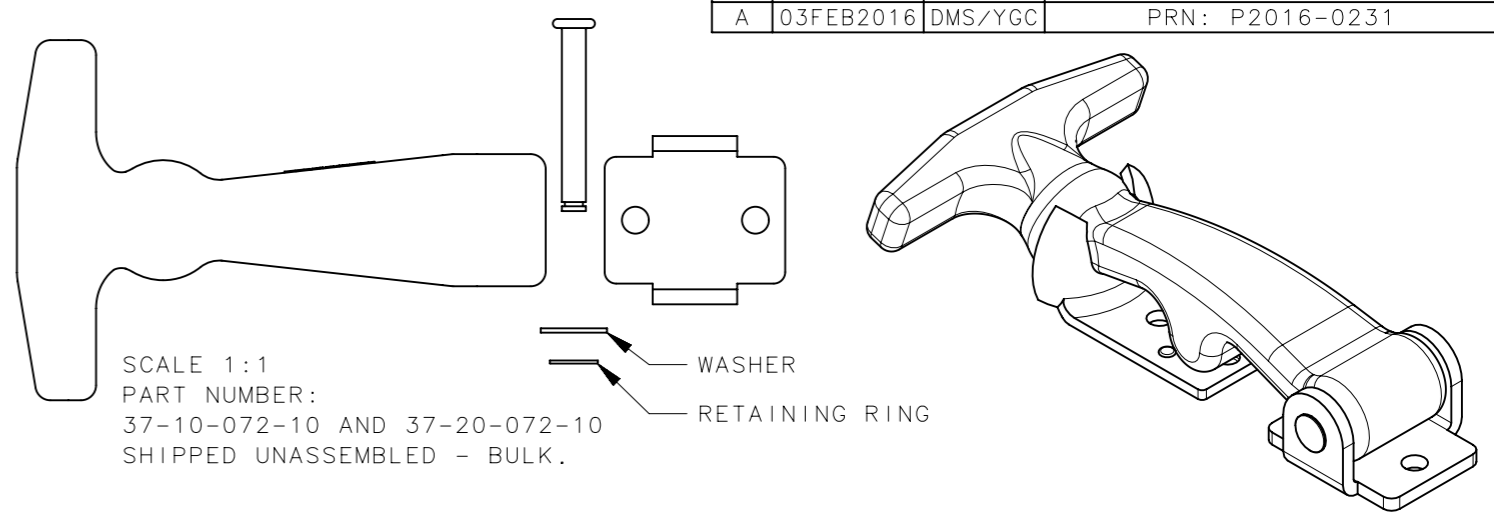
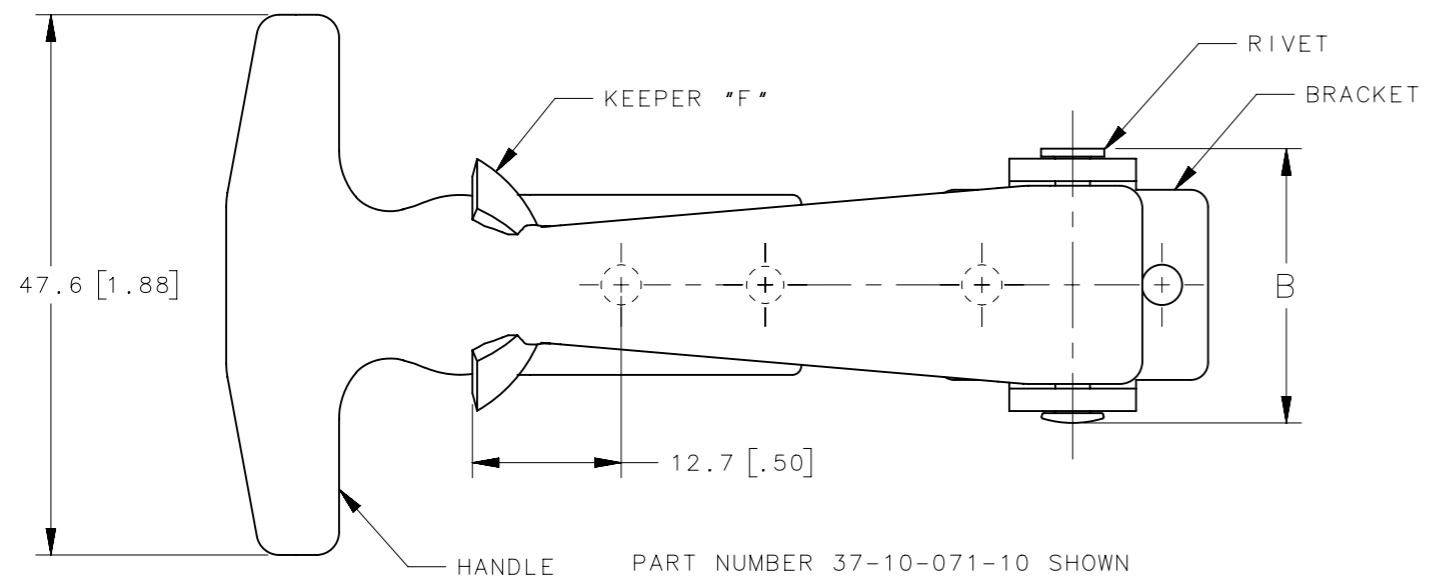
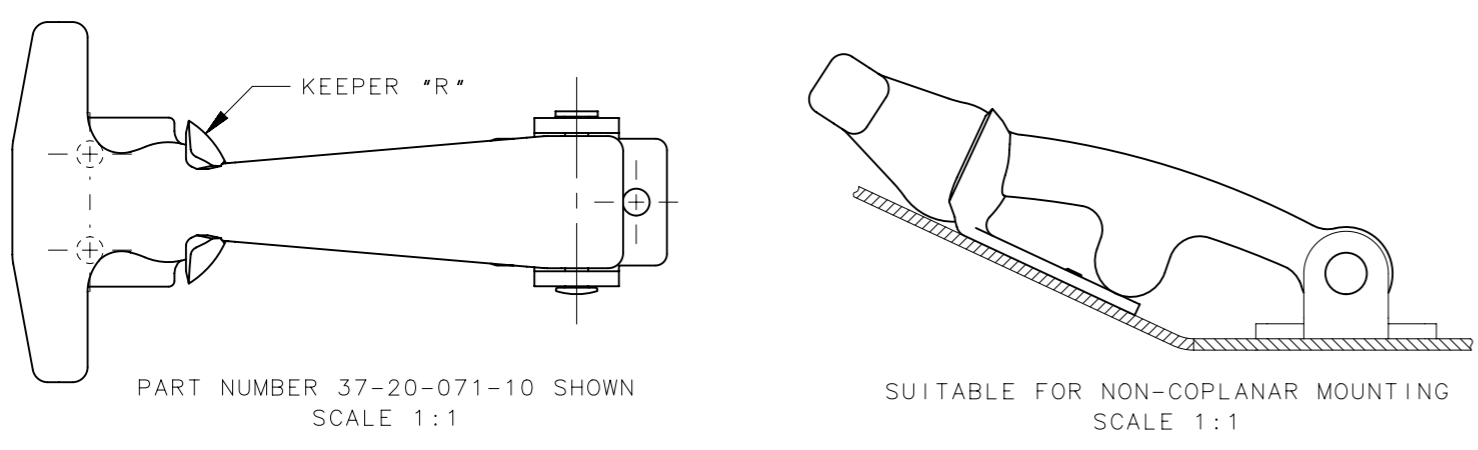


REVISION HISTORY			
REV	DATE	BY	DESCRIPTION
A	03FEB2016	DMS/YGC	PRN: P2016-0231



**PANEL PREPARATION**



37-20-072-10	LATCH SHIPPED UNASSEMBLED	EPDM RUBBER, BLACK	SEE NOTE 2	SEE NOTE 2	SEE NOTE 2	R	25.4[1.00]
37-10-072-10	LATCH SHIPPED UNASSEMBLED	EPDM RUBBER, BLACK	SEE NOTE 2	SEE NOTE 2	SEE NOTE 2	F	25.4[1.00]
37-25-071-24	KEEPER	-	-	-	SEE NOTE 3	R	-
37-11-071-20	HANDLE SUB-ASSEMBLY	EPDM RUBBER, BLACK	SEE NOTE 3	SEE NOTE 3	-	-	-
37-20-071-20	LATCH, ASSEMBLED	-	-	-	-	-	24.2[.95]
37-25-071-17	KEEPER	-	-	-	SEE NOTE 2	R	-
37-11-071-10	HANDLE SUB-ASSEMBLY	EPDM RUBBER, BLACK	SEE NOTE 2	ALUMINUM, NATURAL	-	-	-
37-20-071-10	LATCH, ASSEMBLED	-	-	-	-	-	24.2[.95]
37-15-071-24	KEEPER	-	-	-	SEE NOTE 3	F	-
37-11-071-20	HANDLE SUB-ASSEMBLY	EPDM RUBBER, BLACK	SEE NOTE 3	SEE NOTE 3	-	-	-
37-10-071-20	LATCH, ASSEMBLED	-	-	-	-	-	24.2[.95]
37-15-071-17	KEEPER	-	-	-	SEE NOTE 2	F	-
37-11-071-10	HANDLE SUB-ASSEMBLY	EPDM RUBBER, BLACK	SEE NOTE 2	ALUMINUM, NATURAL	-	-	-
37-10-071-10	LATCH, ASSEMBLED	-	-	-	-	-	24.2[.95]
PART NUMBER	TYPE OF COMPONENT	HANDLE	BRACKET	RIVET/STUD	KEEPER	KEEPER TYPE	B
			MATERIAL, FINISH				

- NOTES:
- LATCH PACKAGED ONE HANDLE SUB-ASSEMBLY AND ONE KEEPER PER BAG.  
FOR BULK PACKAGING: ORDER HANDLE SUB-ASSEMBLY AND KEEPER PART NUMBERS SEPARATELY.
  - STEEL, ZINC PLATE, BRIGHT CHROMATE PLUS SEALER.
  - STAINLESS STEEL, PASSIVATED.

THIRD ANGLE PROJECTION

MILLIMETERS [IN]

TOLERANCES UNLESS OTHERWISE NOTED

ALL DIMENSIONS WITHOUT TOLERANCES ARE FOR REFERENCE ONLY.

PER ASME Y14.5M-1994

**southco**<sup>®</sup>  
CONNECT • CREATE • INNOVATE

DESCRIPTION: 37 FLEXIBLE DRAW LATCH 070 SERIES, T-HANDLE

SIZE: A3 SYSTEM: NX DWG NO.: J-37-070

DRAWN BY: DMS/YGC DATE: 13JAN2016 SCALE: 1.5:1 SHEET: 1 OF 1