



19 Swell Action Latch

Plastic · Light-duty

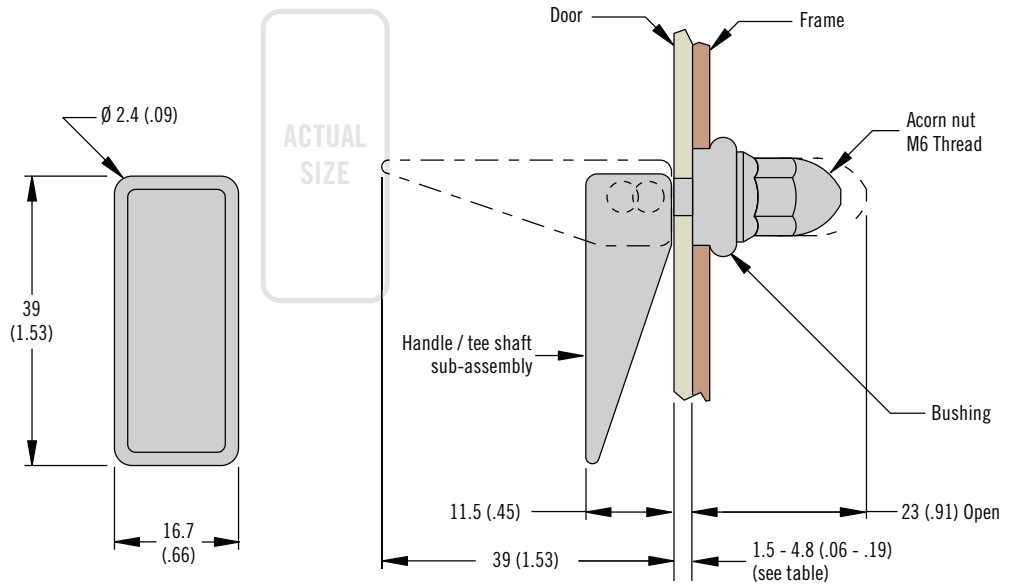
- Accommodates misalignment
- Vibration dampening

Material and Finish

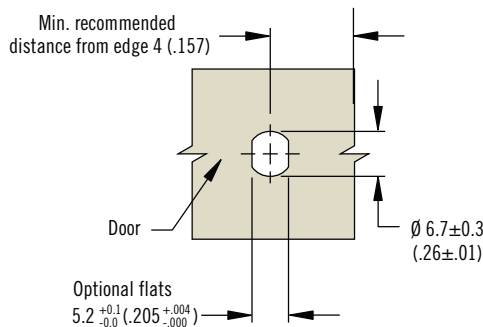
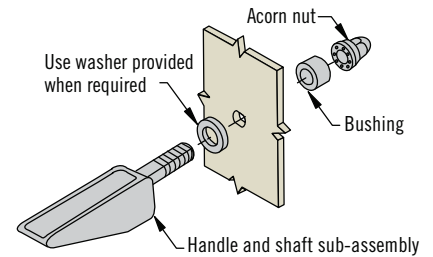
Nylon and glass-filled nylon black with SBR rubber bushing

Performance Details

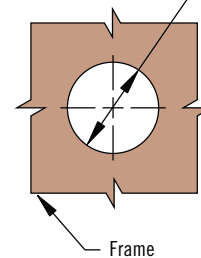
Frame thickness	Rated load (short term)
1.5 (.059)	400 N (90lbf)
2.5 (.098)	690 N (155lbf)
3.2 (.125)	620 N (140lbf)
4.8 (.190)	190 N (43lbf)



Door Thickness	Use Washer?	Adjustment Required
1.7±0.2 (.07±.01)	Yes	No
1.9 - 2.3 (.08 - .09)	Yes	Yes
2.5±0.2 (.10±.01)	No	No
2.7 - 4.8 (.11 - .19)	No	Yes



Ø 13.7±0.3 (.54±.01) for frame thickness up to 3.2 (.13)
 Ø 14.1±0.3 (.56±.01) for frame thickness 3.2 - 4.8 (.13 - .19)



Part Number

See table

Part Number	Packaging
19-51-01	Components bulk packaged
19-54-01	1 Assembly per bag

Dimensions in millimeters (inch) unless otherwise stated



www.southco.com/19