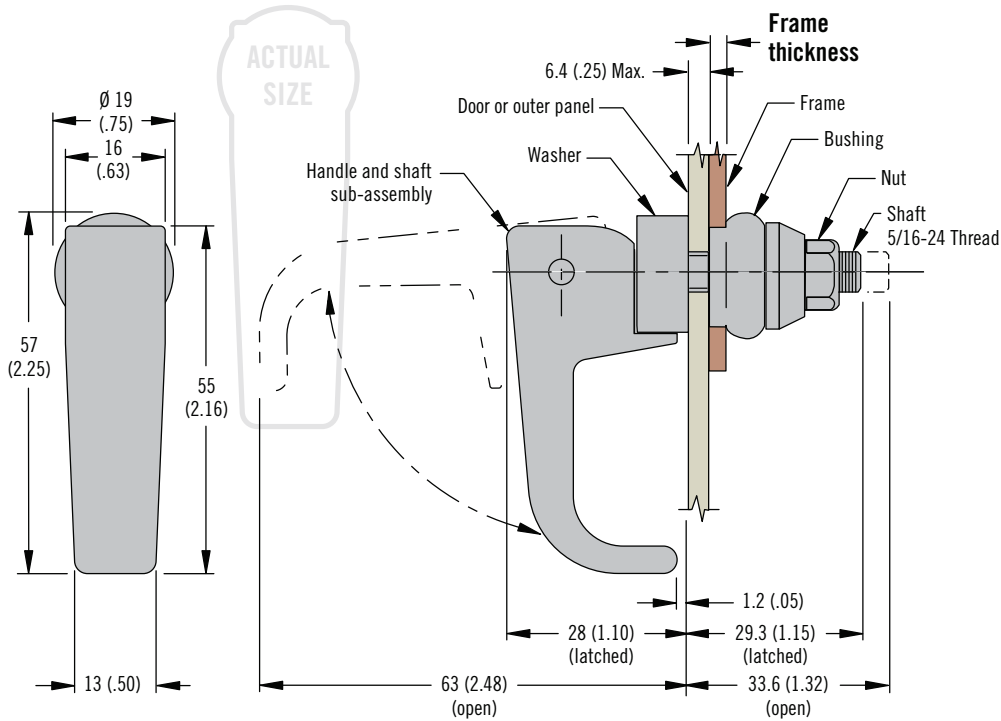


# 19 Swell Action Latch

Zinc · Heavy-duty



- Accommodates misalignment
- Vibration dampening

### Material and Finish

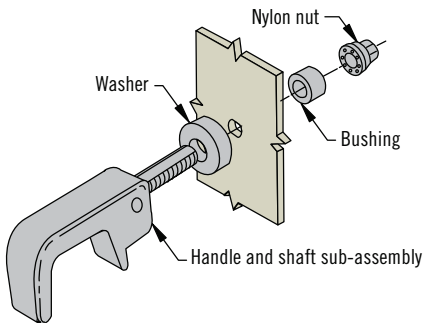
Zinc alloy, black powder coated, acetal and SBR rubber bushing

### Performance Details

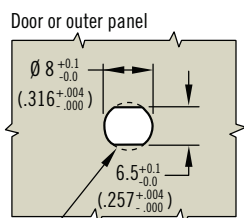
Frame thickness	Rated load (short term)
1.2 (.05) to 3.2 (.13)	330 N (75 lbf)
3.2 (.13) to 4.8 (.19)	660 N (150 lbf)
4.8 (.19) to 6.4 (.25)	550 N (125 lbf)
6.4 (.25) and Up	220 N (50 lbf)

### Installation Notes

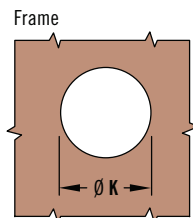
Max. tightening torque on mounting nut: 1.0 N·m (9i n·lbf)



Frame Thickness	$\varnothing K$ <sup>+0.5 (.031)</sup> <sub>-0.0 (.000)</sub>
1.2 - 3.2 (.05 - .13)	19 (.750)
3.2 - 4.8 (.13 - .19)	19.5 (.766)
4.8 - 6.4 (.19 - .25)	20 (.781)
6.4 (.25) and up	20.5 (.797)



Optional: Round hole installation.  
**Caution:** Handle orientation will shift with use and loosen.



Part Number
19-14-10

### Part Number

See table