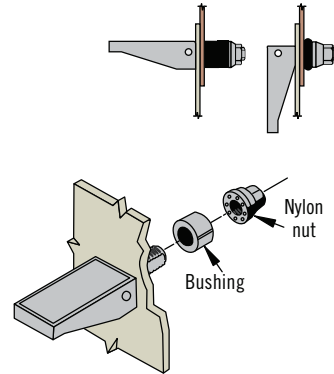
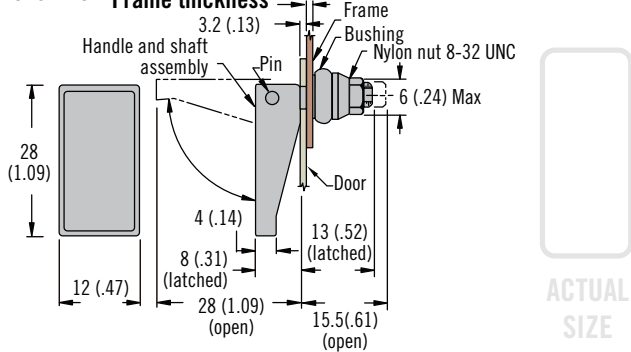


19 Swell Action Latch

Plastic Light-duty

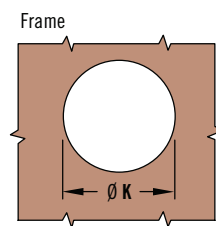
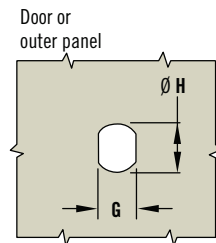
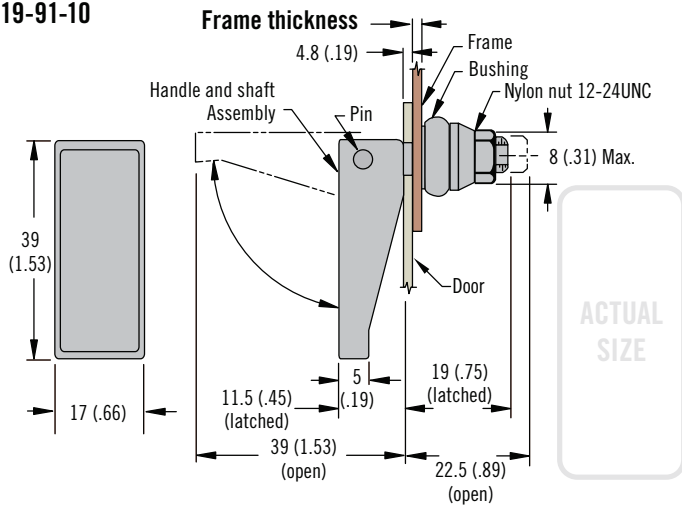


19-81-10 Frame thickness



ACTUAL SIZE

19-91-10 Frame thickness



ACTUAL SIZE

- Accommodates misalignment
- Vibration damping

Material and Finish

Nylon and glass-filled nylon black with SBR rubber bushing

Performance Details

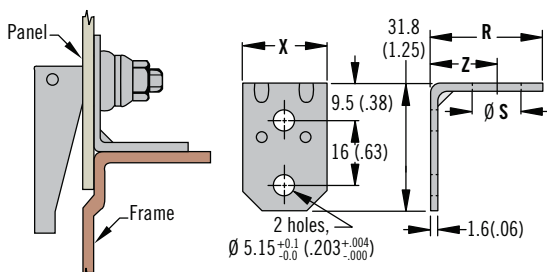
Series	Frame thickness	Rated load (short term)
19-81-10	0.5 - 3.2 (.016 - .13)	180 N (40lbf)
19-91-10	0.5 - 3.2 (.016 - .13)	440 N (100lbf)
	3.2 - 4.8 (.125 - .19)	330 N (75lbf)

Installation notes

Max. tightening torque on mounting nut: 1 N•m (9 in•lbf)

Part Number	G +0.1 (+.004) -0.0 (-.000)	H +0.1 (+.004) -0.0 (-.000)	Frame Thickness	K +0.5 (+.030) -0.0 (-.000)
19-81-10	3.3 (.130)	4.1 (.161)	3.2 (.13) Max.	9.5 (.375)
19-91-10	4.5 (.177)	5.8 (.228)	Up to 3.2 (.13)	13.5 (.531)
			3.2 - 4.8 (.13 - .19)	14 (.547)

Accessories - Side mount bracket



Latch Part Number	$\varnothing S$	R	X	Z	Bracket Part Number
19-81-10 and 19-83-10	9.5 (.38)	27 (1.06)	20.5 (.81)	16.7 (.66)	19-0-15666-11
19-91-10 and 19-93-10	13.5 (.53)				19-0-15665-11

Part Number

See table