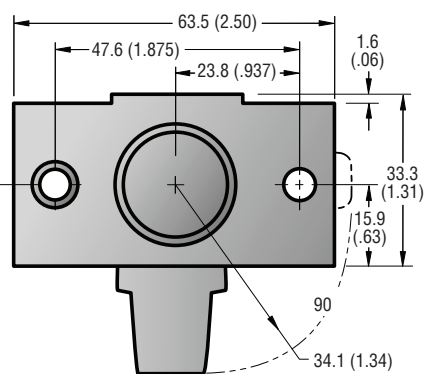


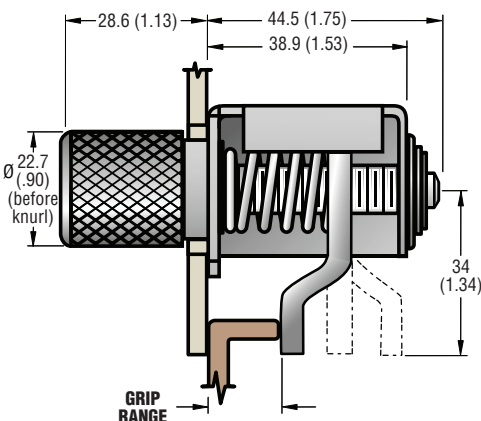
Southco® Compression Latches

Large Size

- Three-hole mount
- An extra turn adjusts the amount of compression applied
- Three actuation styles including hand- and tool-operated



Turn Clockwise to latch.



Material and Finish

PAWL: 1010 Steel, zinc plate, chromate plus sealer.

RETAINING WASHER: 1010 Steel.

BUSHING: 12L14 Steel. These components are zinc plated chromate plus sealer.

SPRING, CONICAL SPRING: 302 Stainless steel, passivated.

HOUSING: 1010 Steel, zinc plate, chromate plus sealer.

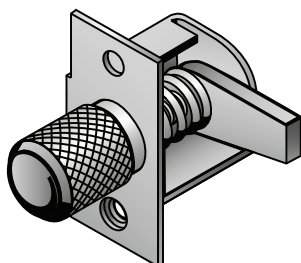
SCREW: 12L14 Steel, zinc plate, chromate plus sealer.

For model with hex socket

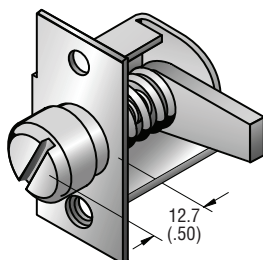
SCREW: 12L14 Steel, zinc plate, chromate plus sealer.

Head Styles:

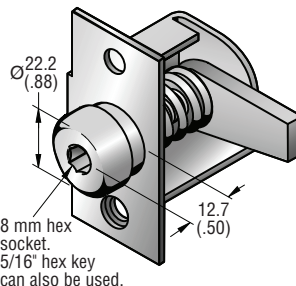
Knurled knob



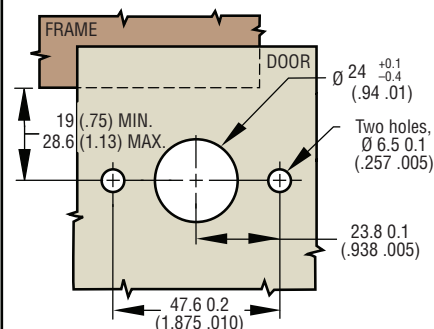
Slotted flush head



Hex socket



Panel preparation



Installation

1. Prepare door.
2. Pass knob of latch through center hole and secure with two rivets or screws.

Product Strength Guidelines

(To assist in your product selection; samples are available for your evaluation.)

Maximum static load: 670 N (150 lbs.)

Average ultimate load: 1400 N (315 lbs.)

millimeter (inch)
millimeter
(inch)

Dimensions without tolerances are for reference only.

Style	Grip range		PART NUMBERS	Pawl position
	MIN.	MAX.		
Knurled head	3.2 (.13)	19 (.75)	14-10-11-11 •	A
	9.5 (.38)	31.8 (1.25)	14-10-13-11 •	B
	22.2 (.88)	42.9 (1.69)	14-10-14-11 •	C
Hex-socket head	3.2 (.13)	19 (.75)	14-10-91-11 •	A
	9.5 (.38)	31.8 (1.25)	14-10-93-11 •	B
	22.2 (.88)	42.9 (1.69)	14-10-94-11 •	C
Slotted flush head	3.2 (.13)	19 (.75)	14-10-71-11 •	A
	9.5 (.38)	31.8 (1.25)	14-10-73-11 •	B
	22.2 (.88)	42.9 (1.69)	14-10-74-11 •	C

Pawl style and position

(pre-assembled) determines grip range (see table).

