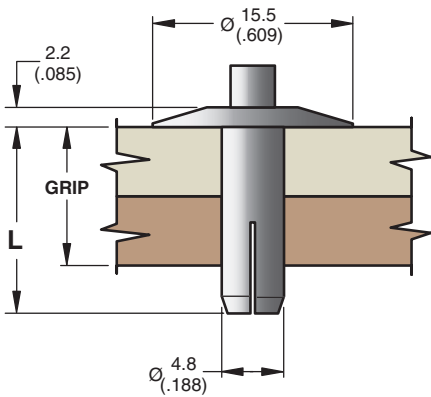


Southco® Drive (Blind) Rivets

Trailer Liner Rivets

- **Fast, efficient trailer lining**
- **Low profile, non-snag head design**
- **Six sizes**



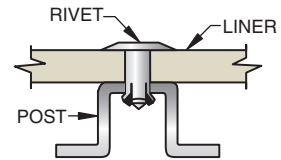
| GRIP | | L | PART NUMBERS |
|-------------|-------------|-------------|----------------|
| MIN. | MAX. | | |
| 1.9 (.075) | 4.4 (.175) | 7.1 (.281) | 10-11-706-13 • |
| 4.4 (.175) | 7 (.275) | 9.9 (.391) | 10-12-706-13 • |
| 7 (.275) | 9.5 (.375) | 12.3 (.484) | 10-13-706-13 • |
| 9.5 (.375) | 12.1 (.475) | 14.7 (.578) | 10-14-706-13 • |
| 12.1 (.475) | 14.6 (.575) | 17.5 (.688) | 10-15-706-13 • |
| 14.6 (.575) | 17.1 (.675) | 19.8 (.781) | 10-16-706-13 • |

*Grip equals total thickness of all layers to be fastened.



Material and Finish

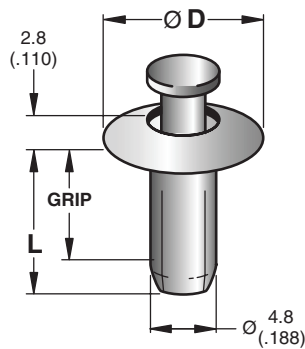
RIVET: 2117 Aluminum, natural.
PIN: 7075 Aluminum, natural.



Southco® Drive (Blind) Rivets

Tamper-resistant, Tamper-evident Rivets

- **Recessed pin resists being driven through or drilled out**
- **Removal is difficult and time consuming**
- **Non-snag head design**
- **Available in 2 diameters and 4 grip ranges**

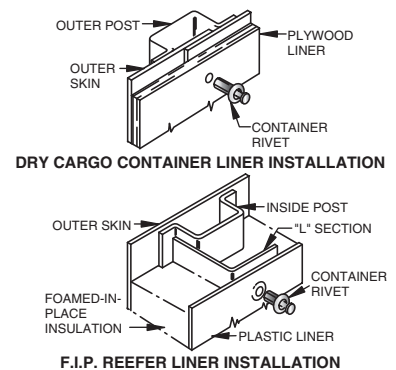


| GRIP | | L | PART NUMBERS | |
|------------|-------------|-------------|------------------|------------------|
| MIN. | MAX. | | Ø 12 (.468) Head | Ø 16 (.615) Head |
| 1.9 (.075) | 4.4 (.175) | 7.1 (.281) | 10-99-106-11 • | 10-99-108-11 • |
| 4.4 (.175) | 7 (.275) | 9.9 (.391) | 10-99-106-12 • | 10-99-108-12 • |
| 7 (.275) | 9.5 (.375) | 12.3 (.484) | 10-99-106-13 • | 10-99-108-13 • |
| 9.5 (.375) | 12.1 (.475) | 14.7 (.578) | 10-99-106-14 • | 10-99-108-14 • |



Material and Finish

RIVET: 5052 Aluminum, natural.
PIN: 5556 Aluminum, natural.



millimeter (inch)
millimeter
(inch)

Dimensions without tolerances are for reference only.

southco