



02 Push-to-Close Latch

Steel strikes

- Ferrous keepers for magnet catch
- Self-adhesive or screw mount

Material and Finish

Steel, zinc plated

Adhesive:

Neoprene foam with acrylic

Installation Notes

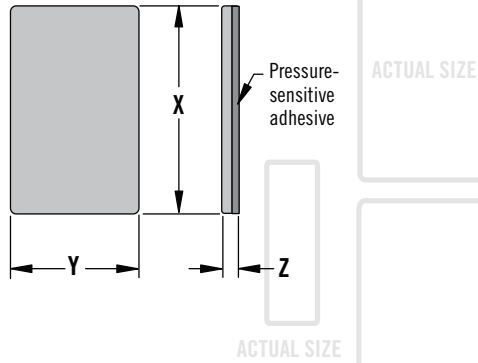
Be sure the mounting surface is clean and capable of retaining a satisfactory adhesive bond.

Self-adhesive mounted strikes are designed to function under intermittent break-away loads. Use screw-mounted strikes for continuous load applications.

Part Number

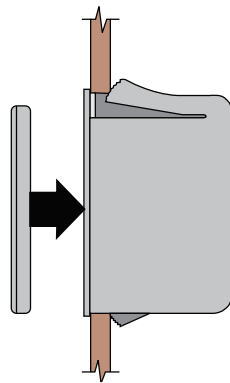
See table

Self-adhesive



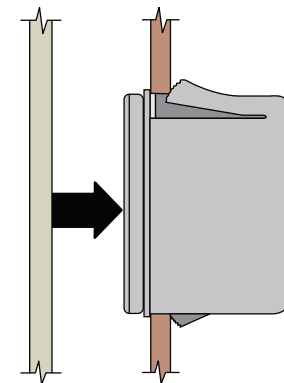
Installation

1. Position strike on installed catch

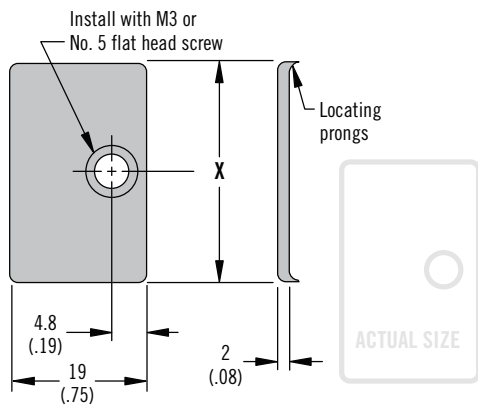


For Use with Series Catch	Strike Part Number	X	Y	Z
300	02-14-301-14	24	8	2.4
400		(.94)	(.31)	(.10)
100	02-14-101-14	32	19	2.8
600		(1.25)	(.75)	(.11)
200	02-14-201-14	51	19	2.8
800		(2.00)	(.75)	(.11)

2. Remove protective paper. Close door or panel onto strike



Screw-Mounted



For Use With Series Catch	Strike Part Number	X
100	02-14-102-11	32 (1.25)
600		
200	02-14-202-11	51 (2.00)
800		

Dimensions in millimeters (inch) unless otherwise stated



www.southco.com/02