



02 Push-to-Close Latch

Pull-to-open · Magnetic catch · Snap-in

- Snap-in installation
- Optional side mount bracket

Material and Finish

Housing:
Polypropylene, black or white

Pole pieces and mounting bracket:
Steel, zinc plated

Magnet:
Small, large: Barium ferrite
Medium: Strontium ferrite

Performance Details

Size	Average breakaway force	Standard deviation
Small 300 series	8 N (1.8 lbf)	2.1 N (.47 lbf)
Medium 100 series	46 N (10 lbf)	5.9 N (1.3 lbf)
Large 200 series	64 N (14 lbf)	7.3 N (1.6 lbf)
Double magnet 800 series	105 N (23 lbf)	18 N (1.0 lbf)

Operating temperature range:
-30°C (-20°F) to 115°C (240°F)

Flammability rating
UL94-HB

Installation Notes

For non-ferrous applications. Screw-mounted and adhesive backed strikes are available. Order separately. See page 146.

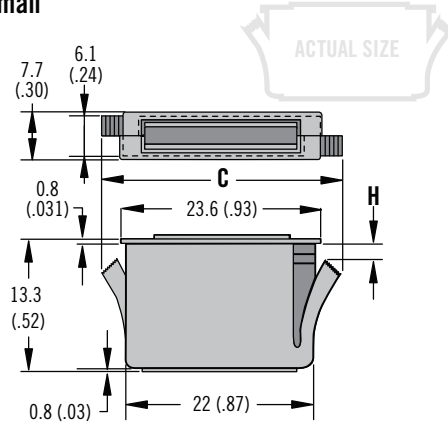
Notes

Performance values shown are supplied as a general guide only.

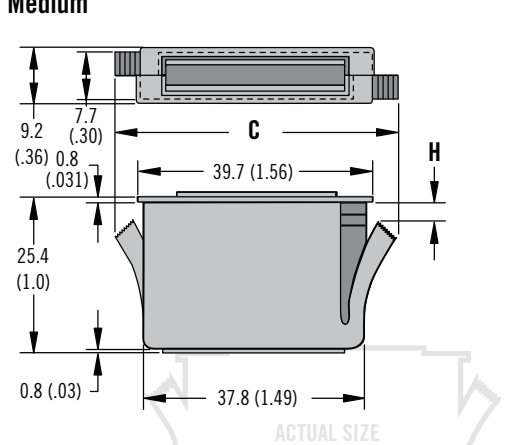
Part Number

See table

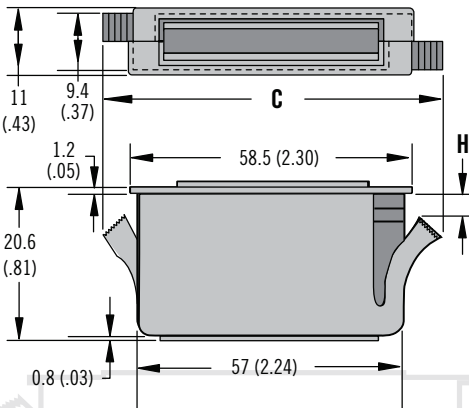
Small



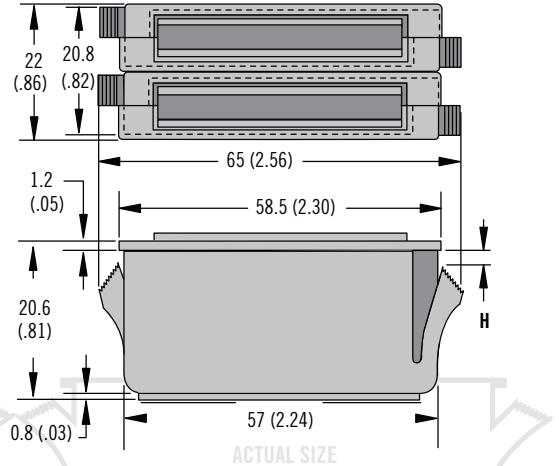
Medium



Large



Large double magnet

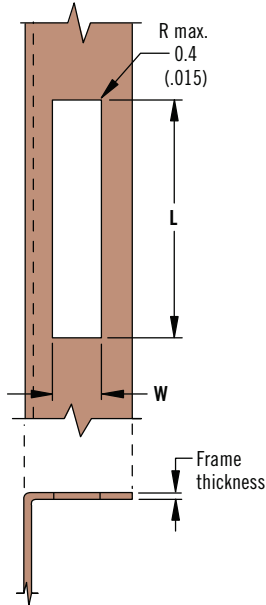


Size	C	H	Frame Thickness		Magnet Part Number	
			Min.	Max.	Black	White
Small	27.9 (1.10)	0.9 (.035)	0.5 (.020)	2 (.080)	02-10-301-10	02-10-301-20
	26.7 (1.05)	2.4 (.095)	2 (.080)	3.6 (.140)	02-10-302-10	02-10-302-20
Medium	47 (1.85)	1 (.040)	0.5 (.020)	2 (.080)	02-10-101-10	02-10-101-20
	46.2 (1.82)	2.5 (.100)	2 (.080)	3.6 (.140)	02-10-102-10	02-10-102-20
	45.5 (1.79)	4 (.160)	3.6 (.140)	5.1 (.200)	02-10-103-10	02-10-103-20
Large	65.3 (2.57)	0.3 (.010)	0.5 (.020)	2 (.080)	02-10-201-10	02-10-201-20
	64.5 (2.54)	1.8 (.070)	2 (.080)	3.6 (.140)	02-10-202-10	02-10-202-20
	63.3 (2.49)	3.3 (.130)	3.6 (.140)	5.1 (.200)	02-10-203-10	02-10-203-20
Large double magnet	~	0.3 (.010)	0.5 (.020)	2 (.080)	02-10-801-10	~
	~	1.8 (.070)	2 (.080)	3.6 (.140)	02-10-802-10	~
	~	3.3 (.130)	3.6 (.140)	5.1 (.200)	02-10-803-10	~

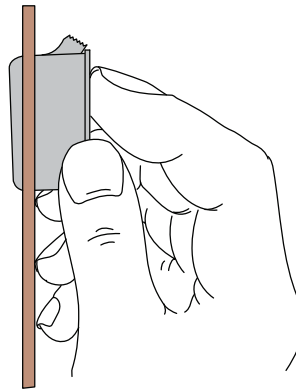
Dimensions in millimeters (inch) unless otherwise stated

Installation

1. Punch rectangular slot

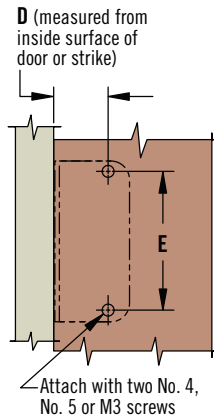
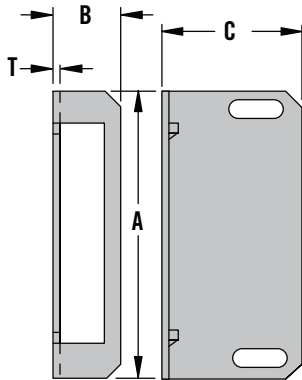


2. Snap catch into slot



Mounting Bracket

For applications where frame is not suitable for punching (order separately)



Size	A	B	C	D	E ± 0.1 ($\pm .005$)	T	For Use with these Magnets ONLY	Bracket Part Number
Small	41.3 (1.63)	11.1 (.44)	13.5 (.53)	7.9 ± 2.4 ($.31 \pm .09$)	35 (1.38)	1 (.042)	02-10-301-10 02-10-301-20	02-16-301-11
Medium	51 (2.00)	12.7 (.50)	24.6 (.97)	17.5 ± 3.2 ($.69 \pm .13$)	44.5 (1.75)		02-10-101-10 02-10-101-20	02-16-101-11
Large	76 (3.00)	14.3 (.56)	18.7 (.73)	12.7 ± 3.2 ($.50 \pm .13$)	70 (2.75)	1.6 (.062)	02-10-201-10 02-10-201-20	02-16-201-11
Large double magnet	76 (3.00)	25.4 (1.00)	18.7 (.73)	12.7 ± 3.2 ($.50 \pm .13$)	70 (2.75)		02-10-801-10	02-16-801-11

- Snap-in installation
- Optional side mount bracket

Installation Notes

Size	L ± 0.1 (.005)	W ± 0.1 (.005)
Small	22.2 (.875)	6.4 (.25)
Medium	38.1 (1.50)	8.1 (.32)
Large	57.1 (2.25)	9.6 (.38)
Double magnet	57.1 (2.25)	21 (.828)

Part Number

See table