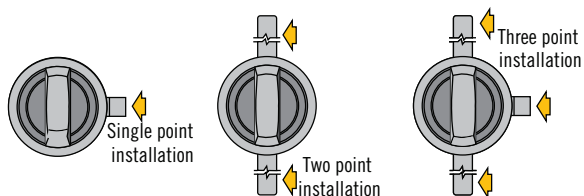
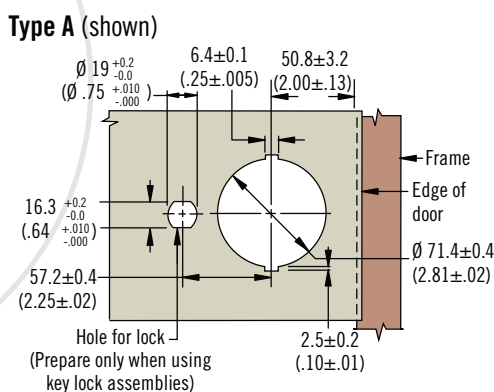
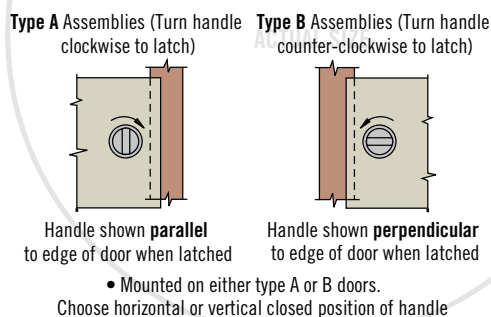
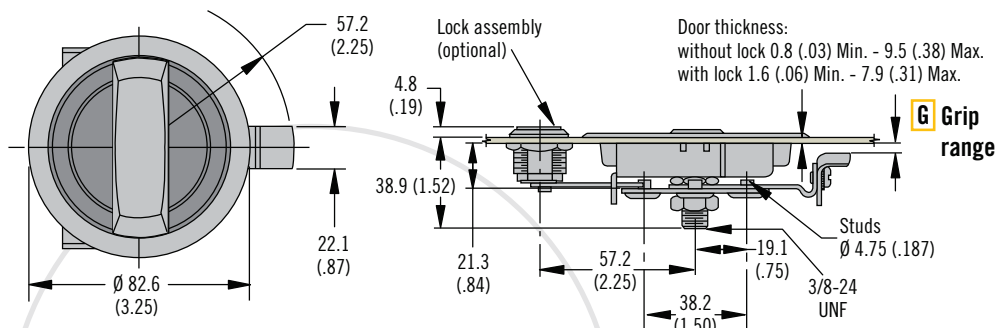




# 01 Cam Latch

Medium · Flush and bail handle · Cup style · Adjustable grip



• **Low profile design**

**Material and Finish**

ABS, zinc and steel, zinc plated

**Performance Details**

Max. static load: 220 N (50 lbf)

Flammability rating UL94-HB

**Keys**

See page 98

**Notes**

For multi-point latching options see pages 244 - 245

For fixed grip version see pages 90 - 91

**Part Number Selection**

- L Lock style**
- 1 Non-locking flat handle
  - 2 Non-locking folding bail handle
  - 3 Locking flat handle keyed alike CH751 (two keys supplied)
  - 4 Locking folding bail handle keyed alike CH751 (two keys supplied)

01 - L 3 - G F	G Grip	Grip Range	Type A	Type B	Cam Type
1	1	0 - 12.7 (0 - .50)	Perpendicular	Parallel	Single or three point latching
2	2	0 - 12.7 (0 - .50)	Parallel	Perpendicular	Single or three point latching
3	3	12.7 - 28.6 (.50 - 1.13)	Perpendicular	Parallel	Single or three point latching
4	4	12.7 - 28.6 (.50 - 1.13)	Parallel	Perpendicular	Single or three point latching
5	5	Two point only	Perpendicular	Parallel	Two point only
6	6	Two point only	Parallel	Perpendicular	Two point only

- F Finish**
- 1 Bright chrome
  - 5 Black (flat handle only)