

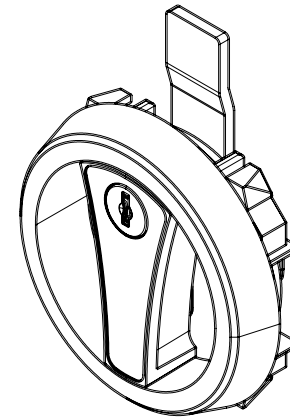
NOTES:

A. MATERIAL AND FINISH:

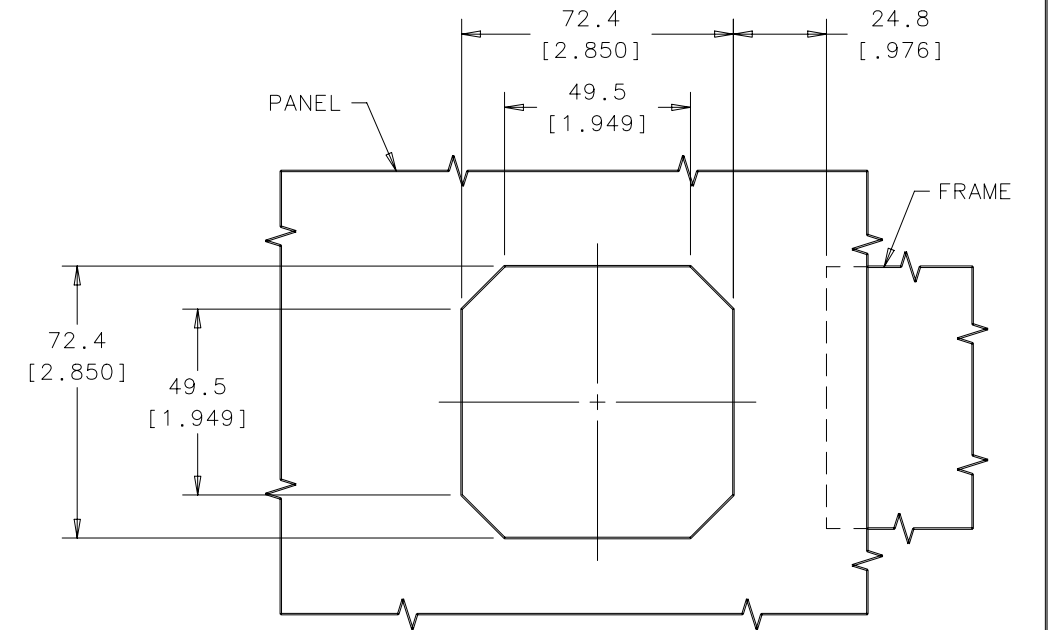
- HANDLE: DIE CAST ZINC, GRAY PAINT
- HOUSING: ABS, BLACK
- TRIM, RETAINER: STAINLESS STEEL
- LOCKPLUG: DIE CAST ZINC, ZINC PLATE CHROMATE DIP. WITH BRASS WAFER AND STAINLESS STEEL TRIM.
- CAM, CAM CLIP, WAVE WASHER AND MOUNTING SCREW: STEEL, NICKEL PLATE

B. COSMETIC SPECIFICATION: UNLESS OTHERWISE NOTED, HANDLE SURFACES ARE TO CONFORM TO A CLASS "C" DESIGNATION AS DESCRIBED IN SOUTHCO COSMETIC SPECIFICATION S-121-03.

southco [®]		PROPRIETARY ITEM - EXCEPT FOR USES EXPRESSLY GRANTED IN WRITING INFORMATION DISCLOSED HEREON IS CONFIDENTIAL AND ALL RIGHTS PATENT AND OTHERWISE ARE RESERVED BY SOUTHCO, INC.		01 FLUSH LATCH LOCKING / NON-LOCKING		DATE	DRAWN	CHKD	SCALE	DRAWING NUMBER
						17JAN2005	RLR	MDY	0.75:1	J-01-10
REV	DATE	DRAWN/CHKD	DESCRIPTION	ITEM	LOCKING		NON-LOCKING		MILLIMETERS	
A	01JUL2005	MDY/RLR	PRN: P2005-0809		TYPE A	TYPE B	TYPE A	TYPE B		
B	13AUG2005	AJH/VNI	PRN: P2005-1052	ASSEMBLY	01-10-721-51	01-10-722-51	01-10-701-51	01-10-702-51		
C	29AUG2005	AAB/RLR	PRN: P2005-1137							
D	17NOV2005	AAB/MJS	PRN: P2005-1675							
ALL DIMENSIONS WITHOUT TOLERANCES ARE FOR REFERENCE ONLY.										
THIRD ANGLE PROJECTION									A3 PAPER SIZE	

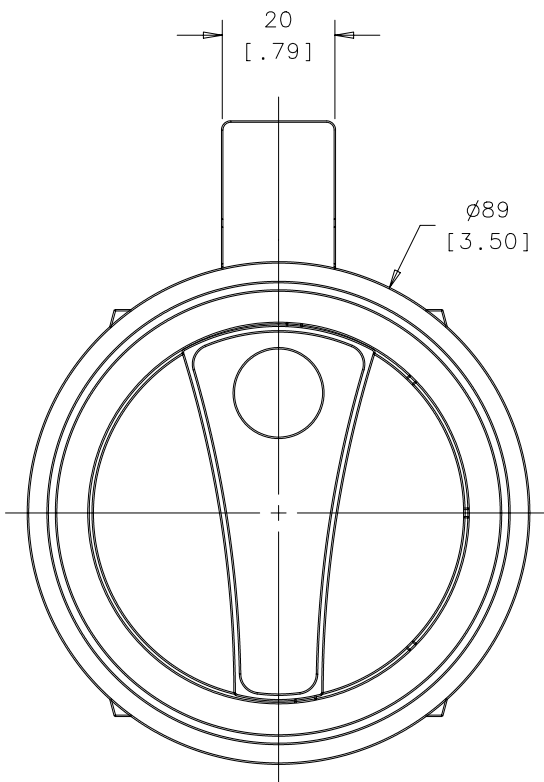


SCALE 0.5:1

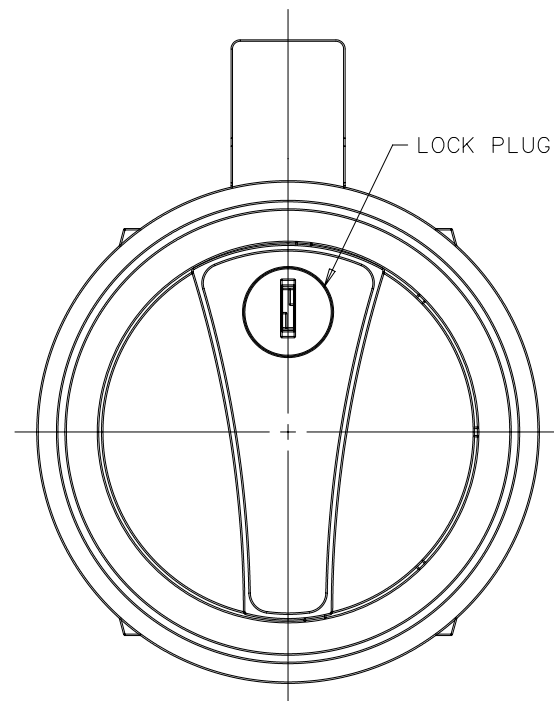


PANEL PREPARATION

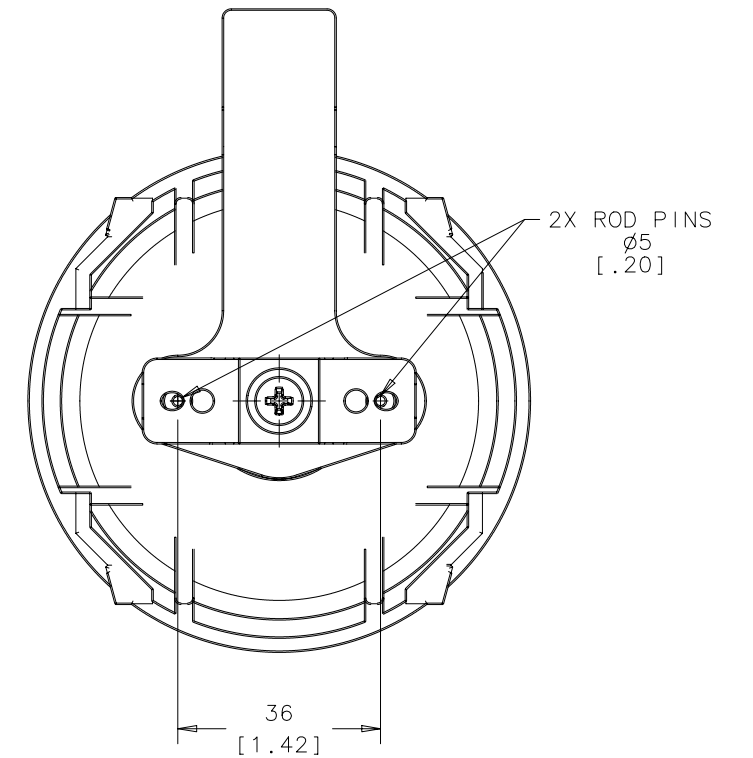
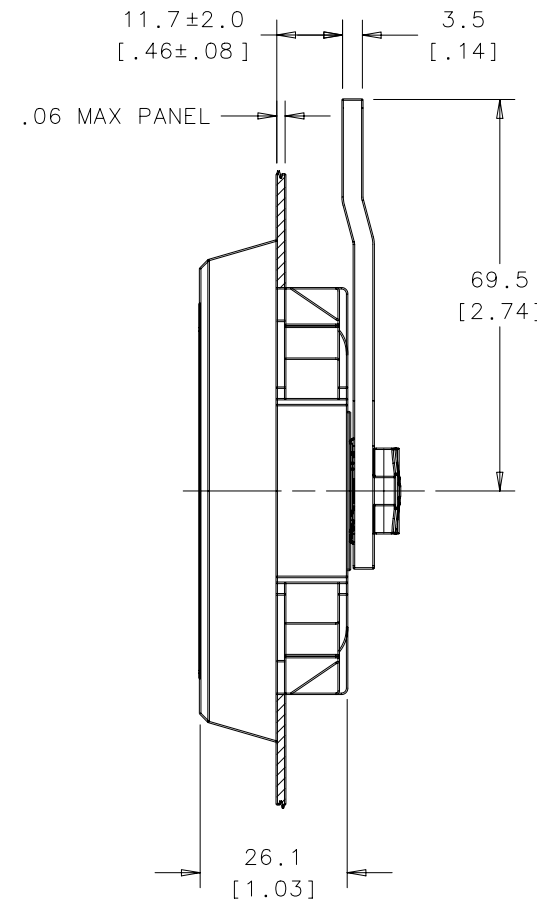
SCALE 0.5:1



NON-LOCKING



LOCKING



TYPE B COUNTER-CLOCKWISE TO LATCH
TYPE A CLOCKWISE TO LATCH