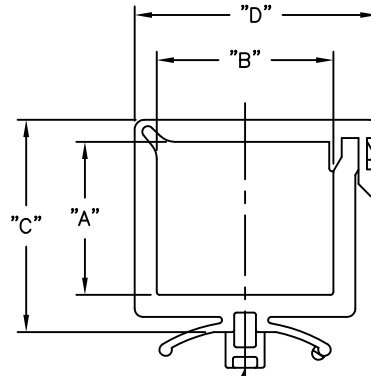
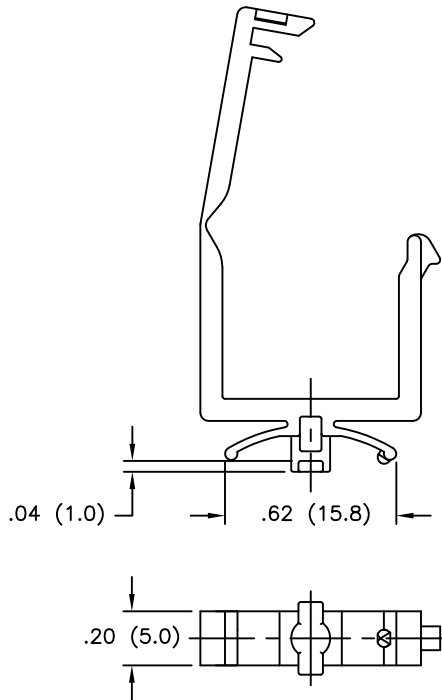
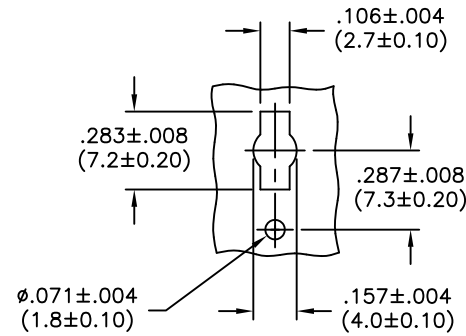


PART NO.	DIM. "A"	DIM. "B"	DIM. "C"	DIM. "D"
WSLT-9-01A-01	.19 (4.8)	.42 (10.7)	.40 (10.2)	.66 (16.8)
WSLT-9-01-2-01	.36 (9.1)		.57 (14.4)	
WSLT-9-02-1-01	.14 (3.6)	.53 (13.5)	.36 (9.1)	.77 (19.6)
WSLT-9-02A-1-01	.39 (10.0)	.64 (16.3)	.60 (15.2)	.88 (22.4)
WSLT-9-03-2-01	.56 (14.1)		.76 (19.2)	
WSLT-9-03-3-01	.85 (21.7)	.71 (18.0)	1.06 (26.8)	.95 (24.1)



PART TO FIT THE HOLE DETAIL  
IN A .031-.063 (0.80-1.60)  
PANEL THICK

MOUNTING HOLE DETAIL



NOTES:

1. MATERIAL: NYLON 6/6 (RMS-01), UL94 V-2  
FLAME RETARDANT, NYLON (RMS-19), UL94 V-0,  
AVAILABLE BY SPECIAL ORDER ONLY.
2. COLOR: NATURAL.
3. ALL DIMENSIONS ARE REFERENCE.

TITLE: WIRE SADDLE, LOCKING TOP (QUARTER-TURN BASE)					DWG IN IN (MM)	
TOLERANCES UNLESS NOTED .XX=±.010 .XXX=±.005 FRAC=±1/64 ANG=±1°	FILE # WSLT-9	DWN: SM	APP:	FINAL		
	MAT'L: SEE NOTES	DT: 03/05/02	DT:	PART #		
	RE: RICHCO, INC.	RICHCO INC. PO BOX 804238, CHICAGO, 60680 (773) 539-4060		SEE TABLE		PRINT TYPE CA

REV	DESCRIPTION	ENGR	DATE
C	SEE CO #200002 FOR CHANGES	SK	09.04.07
B	SEE ECN #898 FOR CHANGES	SM	12.17.04
A	REDRAWN FROM RICHCO UK PRINT (REV."A")	SM	03.05.02