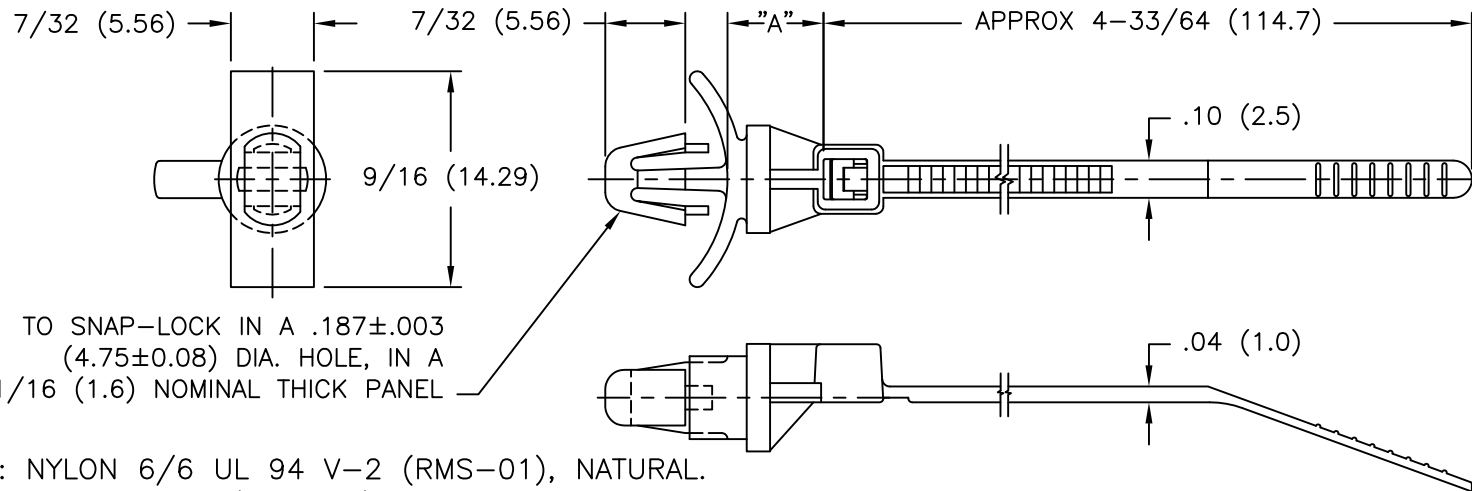


PART NO.	DIM. "A"
WIT-18RA-4-01-M	1/4"(6.4)



NOTES:

- MATERIAL: NYLON 6/6 UL 94 V-2 (RMS-01), NATURAL.
-UV STABILIZED NYLON (RMS-46), BLACK. BY SPECIAL ORDER.
-NYLON 4/6 HIGH TEMPERATURE (RMS-109) AVAILABLE BY SPECIAL ORDER. TO ORDER REPLACE "-01" WITH "-HT".
- MIN. LOOP TENSILE: 18 LBS (80 NEWTONS).
- MAX. BUNDLE DIAMETER: 3/4 (19.1).
- THE SUFFIX "-M" IS FOR PACKAGING OF 1000 PCS

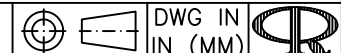
H	SEE CO 200698 FOR CHANGES	SK 08.16.11
G	SEE CO 200661 FOR CHANGES	SK 05.12.11
F	SEE CO 200557 FOR CHANGES	SK 07.19.10
E	SEE CO 200445 FOR CHANGES	SK 09.23.09
D	SEE CO 200134 FOR CHANGES	SK 02.28.08
C	COMPLETELY RE-DRAWN; NEW NOTES AND CHANGED FILE NO.	SM 03.15.01
B	ADDED NOTE 6.	SM 02.23.01
A	MAT'L UV NYLON (RMS-46) ADDED	JL 01.18.00
REV	DESCRIPTION	ENGR DATE

TITLE: SELF MOUNT WRAP-IT-TIES

TOLERANCES
UNLESS NOTED
.XX= $\pm .010$
.XXX= $\pm .005$
FRAC= $\pm 1/64$
ANG= $\pm 1'$

FILE # WIT-18RA
MAT'L: SEE NOTES
RE: RICHCO, INC.

DWN: S.M.
DT: 03/15/01
APP:
DT:
RICHCO INC.
PO BOX 804238, CHICAGO, 60680
(773) 539-4060



DWG IN
IN (MM)



FINAL

PART #
SEE TABLE

PRINT
TYPE
CA