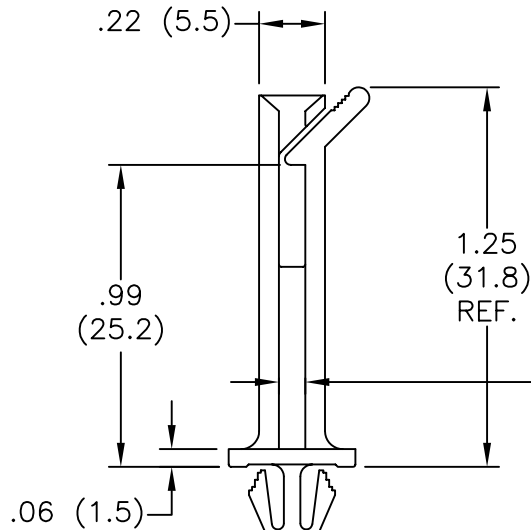
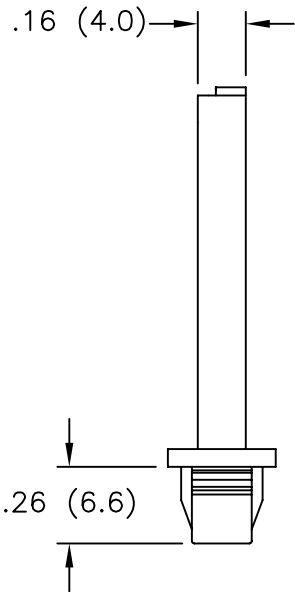
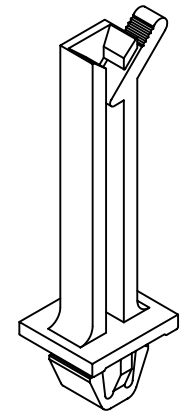
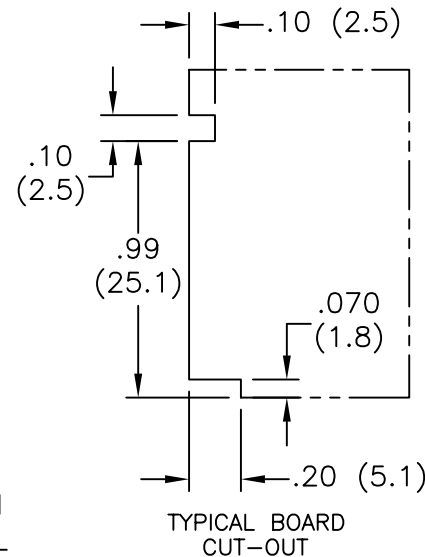


MOUNTING HOLE DIMENSIONS  $\pm 0.003$  ( $\pm 0.08$ )



ACCOMODATES  
A 1/16 (1.6)  
NOMINAL THICK  
BOARD

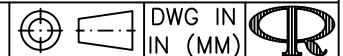
TO FIT IN A .047 TO .071  
(1.2 TO 1.8) THICK PANEL



NOTES:

- MAT'L: NYLON 66 (RMS-01), NAT.
- FLAME RETARDANT NYLON (RMS-19), AVAILABLE BY SPECIAL ORDER

TITLE: VERTICAL MOUNT CARD GUIDE-LATCHED (UK)



DWG IN IN (MM) FINAL

TOLERANCES UNLESS NOTED .XX=±.010 .XXX=±.005 FRAC=±1/64 ANG=±1°	FILE # VMCGLE	DWN: P.B.	APP:	PART # VMCGLE-31M-01	PRINT TYPE CA
MAT'L: SEE NOTES	RE: RICHCO, INC.	DT: 04-06-94	DT: RICHCO INC. PO BOX 804238, CHICAGO, 60680 (773) 539-4060		
C DIM .279 WAS .276, CHANGED FILE NO.	SM 11.29.01				
B TYPICAL BOARD CUT-OUT ADDED	PB 110394				
A P/N VMCGLE-31M-01 WAS VMCGLE	PB 100394				
REV DESCRIPTION	ENGR DATE				