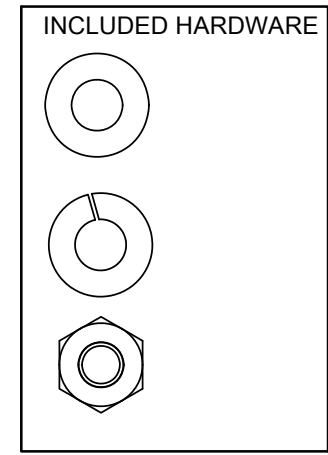
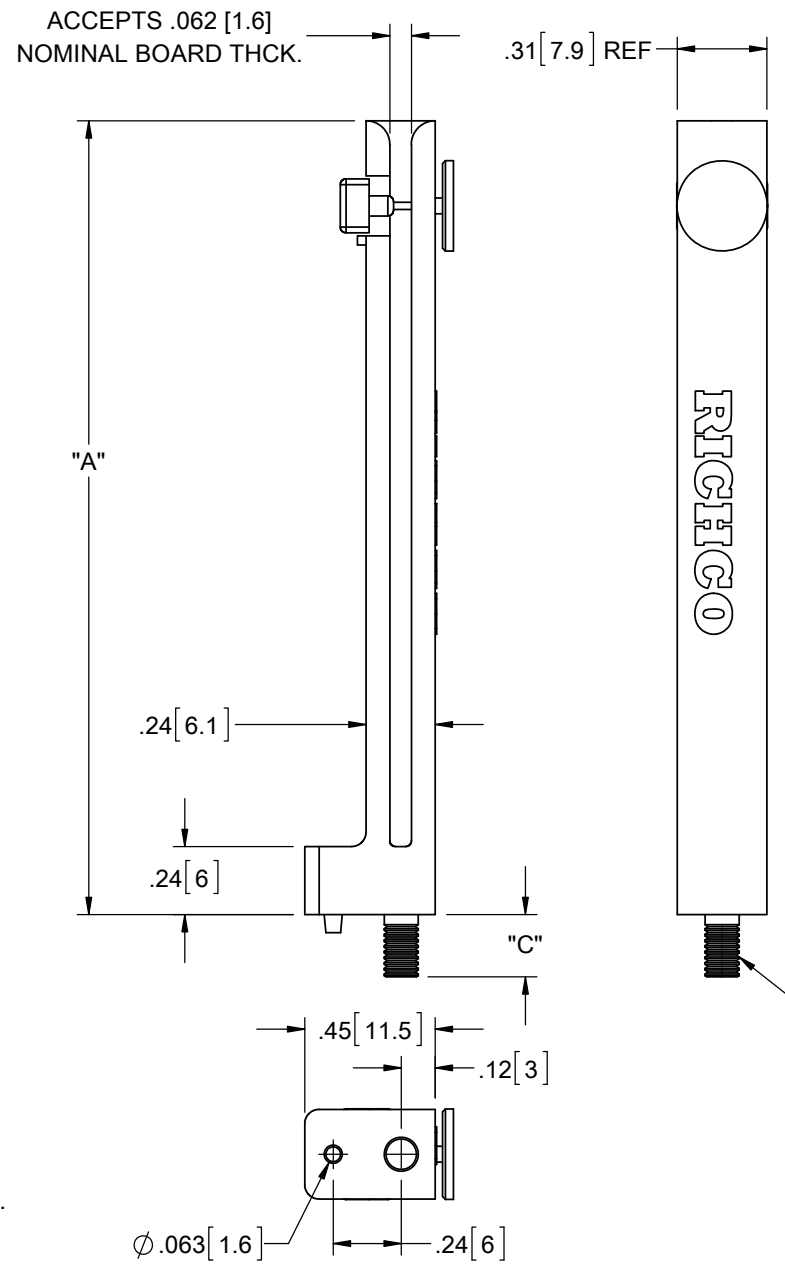
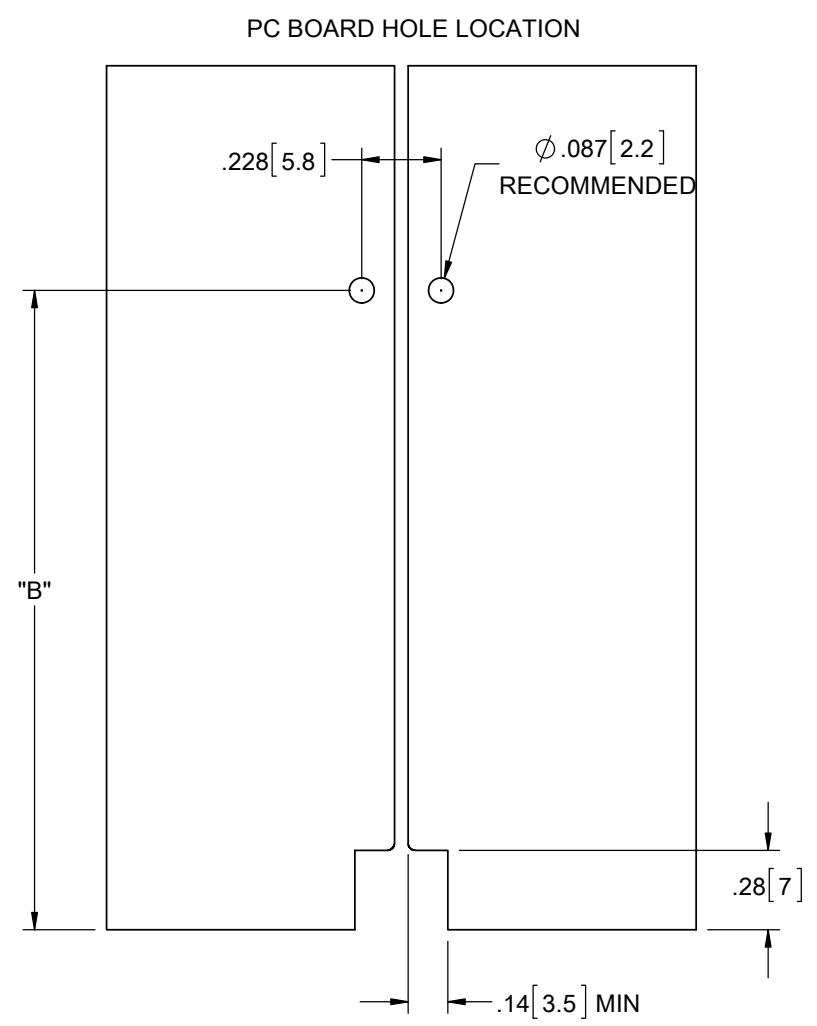
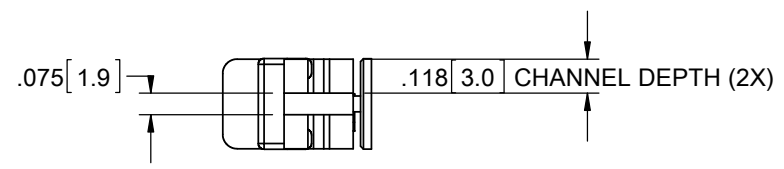
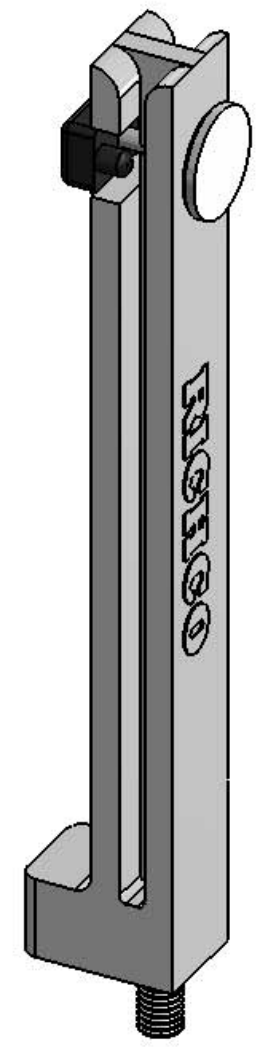


| PART NO. | "A" | "B" | "C" |
|-----------------|------------|-------------|-----------|
| VMCG-70-MPBK-K | 2.76 [70] | 2.44 [62.5] | .22 [5.5] |
| VMCG-100-MPBK-K | 3.94 [100] | 3.62 [92] | .35 [9] |



M3 X 0.5 THREADED METAL INSERT



- NOTES:
- STANDARD MATERIAL: NYLON 6, GLASS FILLED (RMS-38). COLOR: GRAY.
ALTERNATE MATERIAL: NYLON 6 UL94 V-0 (RMS-371). AVAILABLE BY SPECIAL ORDER.
TO ORDER USE P/N: VMCG-XX-MPBK-FR-K.COLOR: GRAY.
 - COMPONENTS:
 - LOCKING BUTTON: HDPE (RMS-284)
 - THREADED INSERT: BRASS (RMS-231)
 - WASHER: STAINLESS STEEL (RMS-228)
 - HEX NUT: STAINLESS STEEL (RMS-228)

| REV. | DESCRIPTION | ENGR. | DATE |
|------|-----------------------------|-------|------------|
| J | REDRAWN, SEE CO 200749 | SK | 01/18/2012 |
| - | SEE ENGINEERING FOR REV A-1 | - | - |

| | | | | | | | |
|---|------------------------------------|---------------|----------------|----------------|-----------|-------|------------|
| TITLE: VERTICAL MOUNT CARD GUIDE, TYPE 2 | | | | DWG IN IN [MM] | | FINAL | |
| CREATED USING SOLIDWORKS | FILE #: VMCG-2 | DWN: SK | APP: SK | PART # | | | |
| TOLERANCES UNLESS NOTED .XX=±.010 .XXX=±.005 FRAC.=±1/64 ANG.=±1° | SHEET: 1 OF 1 | SHEET SIZE: B | DT: 01/17/2012 | CHKD: DZ | SEE TABLE | | PRINT TYPE |
| RE: RICHCO, INC. | RICHCO, INC. WWW.RICHCO-INC.COM | | | | | | CA |