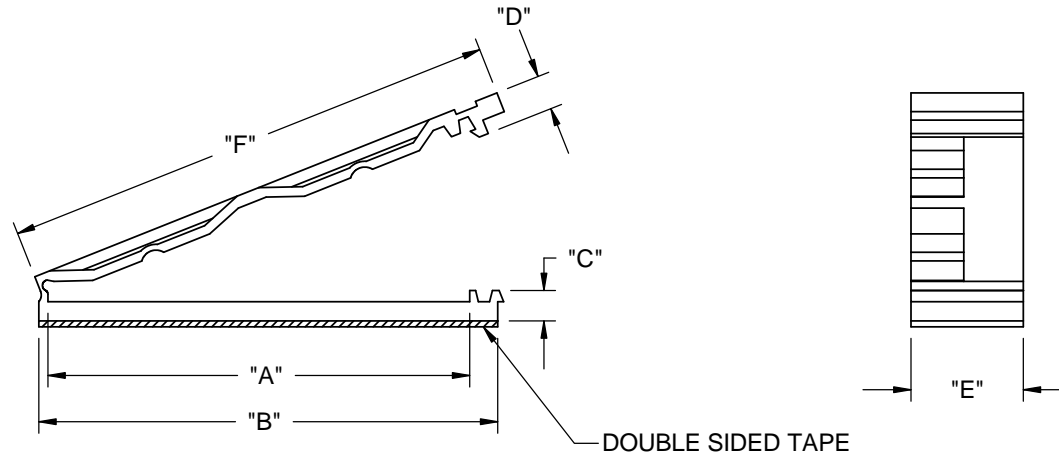


PART NO.	"A"	"B"	"C"	"D"	"E"	"F"	SUITABLE CABLE
TFCM-25S	.87 (22.0)	1.06 (27.0)	.12 (3.0)	.19 (4.7)	.39 (10.0)	1.26 (32.0)	15 PIN
TFCM-25	1.15 (29.3)	1.44 (36.5)	.12 (3.0)	.19 (4.7)	.39 (10.0)	1.57 (40.0)	20 PIN
TFCM-25M	2.20 (55.8)	2.41 (61.2)	.16 (4.0)	.19 (4.7)	.59 (15.0)	2.59 (66.0)	40 PIN

ALL DIMENSIONS ARE FOR REFERENCE ONLY



NOTES:

1. MATERIAL: NYLON 6/6 (RMS-74)
FLAME RETARDANT NYLON AVAILABLE BY SPECIAL ORDER
2. COLOR: NATURAL
3. TAPE: 1/32" (0.8) THICK DOUBLE SIDED FOAM ADHESIVE (RMS-431)

<table border="1"> <tr> <td>B</td> <td>CHANGED RMS NO. SEE CO 200715 FOR CHANGES</td> <td>SK</td> <td>10/03/11</td> </tr> <tr> <td>A</td> <td>RELEASED FOR PRODUCTION</td> <td>SM</td> <td>05/28/03</td> </tr> <tr> <td>REV.</td> <td>DESCRIPTION</td> <td>ENGR.</td> <td>DATE</td> </tr> </table>			B	CHANGED RMS NO. SEE CO 200715 FOR CHANGES	SK	10/03/11	A	RELEASED FOR PRODUCTION	SM	05/28/03	REV.	DESCRIPTION	ENGR.	DATE	<table border="1"> <tr> <td colspan="4">TITLE: TENSION FLAT CABLE CLAMP</td> <td colspan="2"> </td> <td colspan="2"> DWG IN [MM] FINAL </td> </tr> <tr> <td colspan="2"> CREATED USING SOLIDWORKS TOLERANCES UNLESS NOTED .XX=±.010 .XXX=±.005 FRAC.=±1/64 ANG.=±1° </td> <td> FILE #: TFCM SHEET: 1 OF 1 SHEET SIZE: A RE: RICHCO, INC. </td> <td> DWN: S.J. DT: 5.27.03 RICHCO, INC. ENG@RICHCO-INC.COM (773) 539-4060 </td> <td> APP: SJ CHKD: DJZ </td> <td colspan="2"> PART # SEE TABLE </td> <td> PRINT TYPE CA </td> </tr> </table>				TITLE: TENSION FLAT CABLE CLAMP						DWG IN [MM] FINAL		CREATED USING SOLIDWORKS TOLERANCES UNLESS NOTED .XX=±.010 .XXX=±.005 FRAC.=±1/64 ANG.=±1°		FILE #: TFCM SHEET: 1 OF 1 SHEET SIZE: A RE: RICHCO, INC.	DWN: S.J. DT: 5.27.03 RICHCO, INC. ENG@RICHCO-INC.COM (773) 539-4060	APP: SJ CHKD: DJZ	PART # SEE TABLE		PRINT TYPE CA
B	CHANGED RMS NO. SEE CO 200715 FOR CHANGES	SK	10/03/11																															
A	RELEASED FOR PRODUCTION	SM	05/28/03																															
REV.	DESCRIPTION	ENGR.	DATE																															
TITLE: TENSION FLAT CABLE CLAMP						DWG IN [MM] FINAL																												
CREATED USING SOLIDWORKS TOLERANCES UNLESS NOTED .XX=±.010 .XXX=±.005 FRAC.=±1/64 ANG.=±1°		FILE #: TFCM SHEET: 1 OF 1 SHEET SIZE: A RE: RICHCO, INC.	DWN: S.J. DT: 5.27.03 RICHCO, INC. ENG@RICHCO-INC.COM (773) 539-4060	APP: SJ CHKD: DJZ	PART # SEE TABLE		PRINT TYPE CA																											