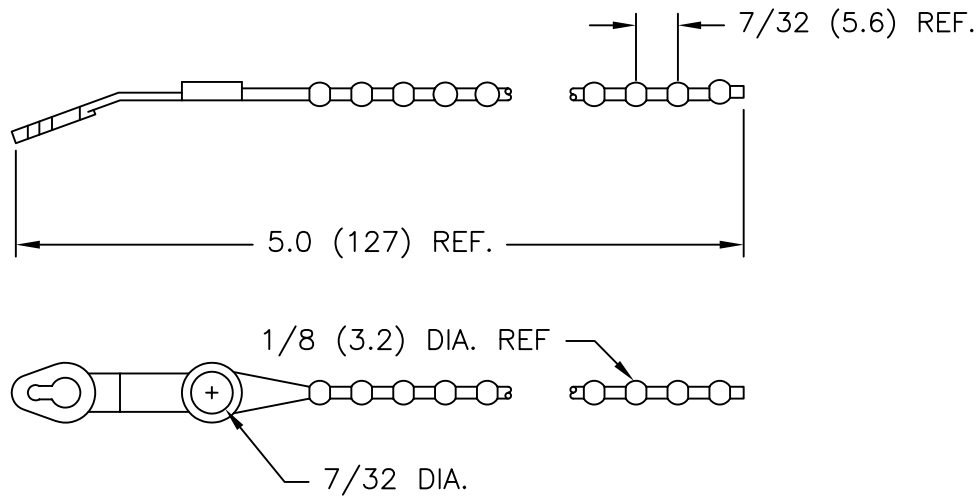


POLYPROPYLENE (RMS-10) COLOR: NATURAL PART NO.	NYLON 6/6 (RMS-01) COLOR: NATURAL PART NO.	FLAME RETARDANT NYLON (RMS-19) COLOR: NATURAL PART NO.	BUNDLE DIAMETER
ST-205	ST-305	ST-405	1/4-1-1/4 (6.4-31.8)



TITLE: PUSHBUTTON WIRE TIES						DWG IN IN (MM)	
TOLERANCES UNLESS NOTED .XX=±.010 .XXX=±.005 FRAC=±1/64 ANG=±1°	FILE # ST-XXX	DWN: D.D.	DT: 05-23-96	FINAL			
	MAT'L: SEE TABLE	CHKD:	ENGR:	PART #		PRINT	
	RE: RICHCO, INC.	RICHCO INC. PO BOX 804238, CHICAGO, 60680 (773) 539-4060		SEE TABLE		TYPE CA	

B	SEE ECN #1109 FOR CHANGES	SK 12.05.05
A	UPDATED TABLE AND CHANGED FILE NO.	SM 02.13.03
REV	DESCRIPTION	ENGR DATE