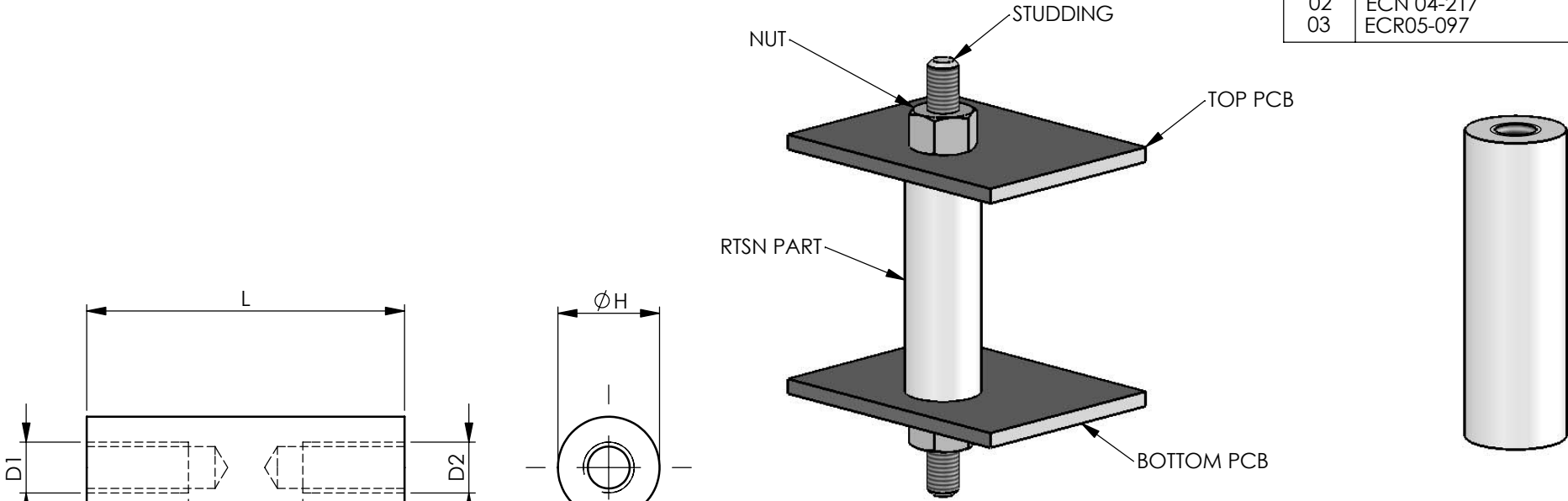


AVAILABLE BY SPECIAL ORDER- NAFTA REGION ONLY

REV.	MODIFICATION.	DATE	DRN
01	NEW DRAWING	26/10/04	NJB
02	ECN 04-217	09/12/04	NJB
03	ECR05-097	31/08/05	OW



TYPICAL APPLICATION VIEW

NOTES:
1) ALL PRIMARY DIMENSIONS IN mm,
SECONDARY DIMENSIONS IN [INCHES].

PART No.	D1=D2	H	L	
RTSN-M4-L-8-1	M4	8.0 (0.315)	5.0-20.0 (0.197-0.788)	21.0-65.0 (0.827-2.560)
RTSN-M4-L-7-1	M4	7.0 (0.276)	5.0-15.0 (0.197-0.590)	16.0-60.0 (0.629-2.362)
RTSN-M3-L-7-1	M3	7.0 (0.276)	5.0-15.0 (0.197-0.590)	16.0-60.0 (0.629-2.362)
RTSN-M3-L-6-1	M3	6.0 (0.236)	5.0-15.0 (0.197-0.590)	16.0-60.0 (0.629-2.362)
RTSN-M2.5-L-5-1	M2.5	5.0 (0.197)	4.0-20.0 (0.158-0.788)	21.0-55.0 (0.827-2.165)
RTSN-M2-L-5-1	M2	5.0 (0.197)	5.0-14.0 (0.197-0.551)	15.0-45.0 (0.591-1.772)
		P1=P2	THROUGH	10.0 MIN

INFORMATION CONTAINED IN THIS DOCUMENT IS CONFIDENTIAL TO RICHCO INTERNATIONAL Co. Ltd. AND MAY NOT BE DISCLOSED OR REPRODUCED IN WHOLE OR PART WITHOUT THEIR WRITTEN CONSENT

Richco[®]

METRIC GENERAL TOLERANCES ±0.25
ARE PRIMARY UNLESS OTHERWISE STATED
1 DECIMAL PLACE ±
2 DECIMAL PLACES ±
ANGULAR ±1°

IMPERIAL GENERAL TOLERANCES ±0.010
ARE FOR REFERENCE UNLESS OTHERWISE STATED
1 DECIMAL PLACE ±
2 DECIMAL PLACES ±
ANGULAR ±1°

MATERIAL: NYLON 6, 25% GF (RMS-173) COLOUR: BLACK

TITLE: ROUND THREADED SPACER, NYLON PART No: RTSN-MD-L-H-1

DRG No: 04-132 NPR REF: SIZE A4

DRN NJB	DATE 26/10/04	CHKD RC	DATE 28/10/04	SCALE NTS	SHEET No 1 OF 1
------------	------------------	------------	------------------	--------------	--------------------