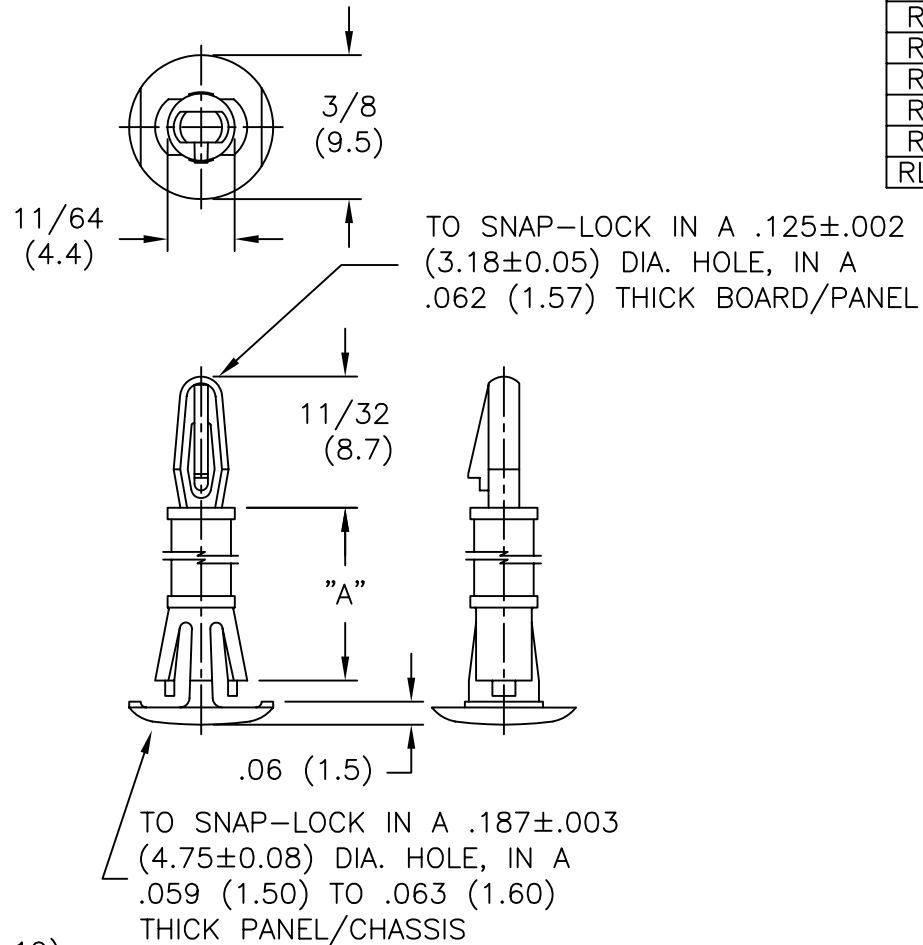


| PART NO. | DIM. "A" ±.015(0.4) |
|--------------|------------------------|
| RLCBSR-4-01 | 1/4 (6.4) |
| RLCBSR-5-01 | 5/16 (7.9) |
| RLCBSR-6-01 | 3/8 (9.5) |
| RLCBSR-7-01 | 7/16 (11.1) |
| RLCBSR-8-01 | 1/2 (12.7) |
| RLCBSR-9-01 | 9/16 (14.3) |
| RLCBSR-10-01 | 5/8 (15.9) |



NOTES:

- MAT'L: NYLON 66 (RMS-01).
FLAME RETARDANT: NYLON (RMS-19),
BY SPECIAL ORDER.
- COLOR: NATURAL.

| TITLE: REVERSE LOCKING CBS, ROUND HOLE | | | DWG IN IN (MM) | | FINAL | |
|---|----------------------------------|--|----------------|-----------|-------|------------|
| TOLERANCES UNLESS NOTED .XX=±.010 .XXX=±.005 FRAC=1/64 ANG=1° | FILE # RLCBSR | DWN: P.B. | APP: | PART # | | PRINT TYPE |
| | MAT'L: SEE NOTES | DT: 07-12-94 | DT: | SEE TABLE | | CA |
| | RE: RICHCO, INC. | RICHCO INC. PO BOX 804238, CHICAGO, 60680 (773) 539-4060 | | | | |
| C | CHANGED FILE NO. AND TITLE BLOCK | SM 05.01.01 | | | | |
| B | MAT'L RMS-19 ADDED | J.L. 12.5.97 | | | | |
| A | CONVERTED TO ACAD | PB 07.12.94 | | | | |
| REV | DESCRIPTION | ENGR DATE | | | | |