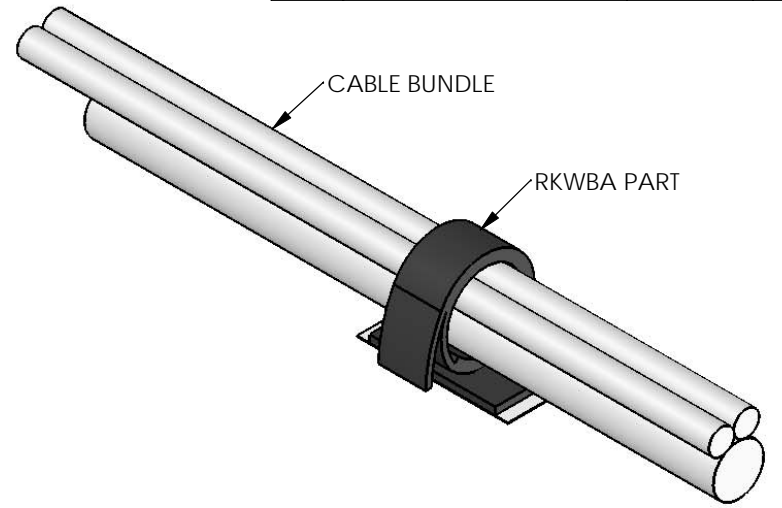
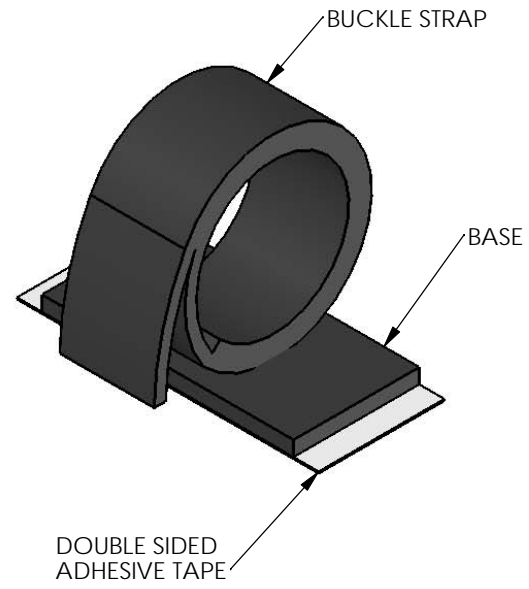
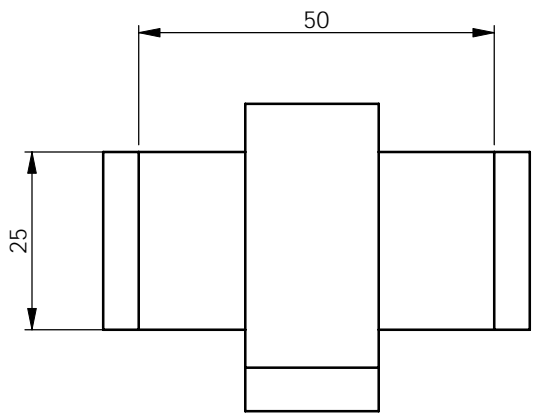
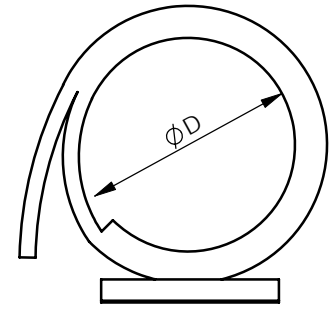
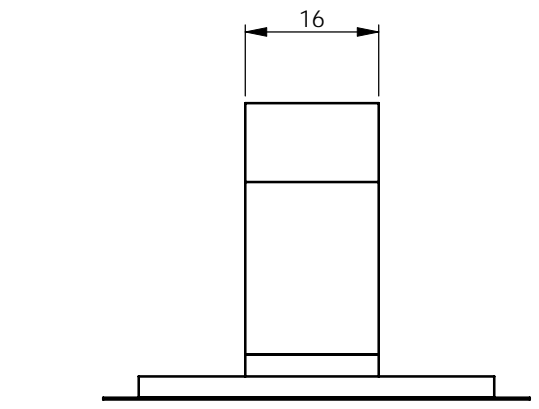


REV.	MODIFICATION.	DATE	DRN
01	NEW DRAWING	09/11/04	NJB
02	ECN 04-221	09/12/04	NJB
03	CO2010223	09/05/08	SF
04	CO2010248	30/05/08	SF
05	CO2010800	03/09/09	MT

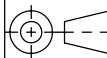


TYPICAL APPLICATION VIEW



ALTERNATE UNITS FOR REFERENCE ONLY

INFORMATION CONTAINED IN THIS DOCUMENT IS CONFIDENTIAL TO RICHCO INTERNATIONAL Co. Ltd. AND MAY NOT BE DISCLOSED OR REPRODUCED IN WHOLE OR PART WITHOUT THEIR WRITTEN CONSENT.

RICHCO, INC. WWW.RICHCO-INC.COM	ALL DIMENSIONS IN mm GENERAL TOLERANCES ± 2.0 UNLESS OTHERWISE STATED 1 DECIMAL PLACE \pm 2 DECIMAL PLACES \pm ANGULAR $\pm 1^\circ$	THIRD ANGLE 

PART NUMBER	STRAP LENGTH"L"	MAXIMUM BUNDLE DIAMETER"D"	MATERIAL
RKWBA-16-300	150[5.91]	40[1.58]	NYLON LOOP (RMS-312), LAMINATED ON A POLYESTER/POLYPROPYLENE HOOK (RMS-342)
			RMS-313 PRESSURE SENSITIVE ADHESIVE TAPE

MATERIAL:	SEE TABLE	COLOUR:	BLACK
-----------	-----------	---------	-------

DESCRIPTION:	RICHCO KWIK WRAP, ADHESIVE ROUND WIRE ROUTING	PART No:	RKWBA-16-300
--------------	---	----------	--------------

DRG No:	04-149	NPR No:		SHEET SIZE	A4
---------	--------	---------	--	------------	----

DRN	DATE	CHKD	DATE	SCALE	SHEET No.
NJB	09/11/04	RC	09/11/04	NTS	1 OF 1