

Ferrite Material: A5-K5B RMS-303

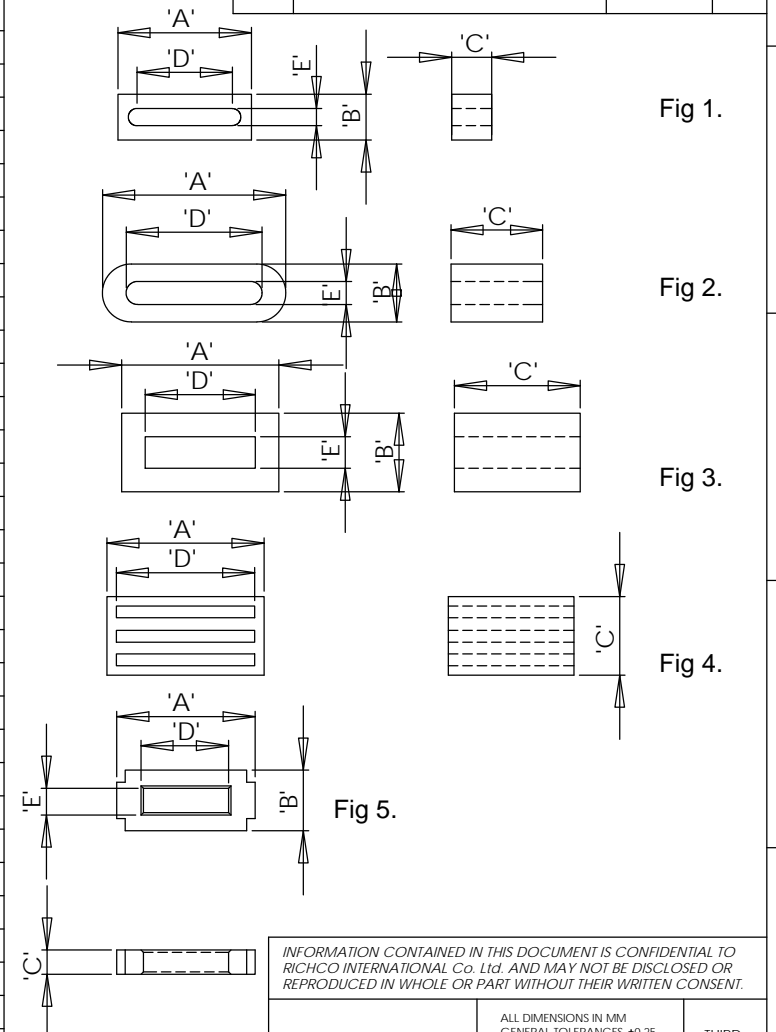
| RFS | Fig. | A | B | C | D | E | IMPEDANCE | | STANDARD PACK (PIECES) |
|----------------|------|-------|------|------|------|------|-----------|--------|------------------------|
| | | | | | | | 25MHz | 100MHz | |
| RFS3-2-9-K5B | 3 | 5 | 3 | 9 | 3 | 1 | 46 | 74 | 1000 |
| RFS3-3-9-K5B | 3 | 5.5 | 3 | 9 | 4 | 1.4 | 32 | 57 | 1000 |
| RFS2-3-9-K5B | 3 | 6.5 | 3.8 | 9 | 4 | 1.4 | 41 | 72 | 500 |
| RFS3-4-9-A5 | 3 | 7.5 | 5.3 | 9 | 5 | 2.8 | 32 | 59 | 500 |
| RFS3-4-12-A5 | 3 | 7.5 | 5.3 | 12 | 5 | 2.8 | 42 | 86 | 500 |
| RFS2-5-8-A5 | 3 | 9.1 | 5.6 | 7.8 | 7.2 | 3.7 | 19 | 41 | 500 |
| RFS3-5-12-A5 | 3 | 9.5 | 3 | 12 | 7.6 | 0.8 | 38 | 79 | 500 |
| RFS3-6-3-A5 | 3 | 10 | 3.2 | 3 | 8 | 1 | 13 | 42 | 1000 |
| RFS3-6-7-A5 | 3 | 10 | 3.2 | 7 | 8 | 1 | 25 | 65 | 1000 |
| RFS1-6-8-A5 | 3 | 10 | 3.2 | 8 | 8 | 1 | 28 | 60 | 1000 |
| RFS5-7-2-A5 | 5 | 13.84 | 3.94 | 1.88 | 9.78 | 1.52 | 10 | 32 | 2000 |
| RFS2-8-12-A5 | 2 | 14.7 | 2.75 | 12 | 11 | 0.7 | 28 | 63 | 192 |
| RFS2-9-5-A5 | 2 | 16 | 3 | 5 | 11.5 | 0.5 | 14 | 40 | 375 |
| RFS2-9-8-3-A5 | 2 | 16 | 3 | 8 | 11.5 | 0.5 | 24 | 68 | 200 |
| RFS2-9-4-A5 | 2 | 16 | 4 | 4 | 11.5 | 0.5 | 15 | 40 | 450 |
| RFS2-9-6-A5 | 2 | 16 | 5 | 6 | 11.5 | 0.5 | 20 | 48 | 352 |
| RFS2-9-8-A5 | 2 | 16 | 5 | 8 | 11.5 | 0.5 | 29 | 72 | 288 |
| RFS2-9-12-A5 | 2 | 16 | 5 | 12 | 11.5 | 0.5 | 41 | 73 | 160 |
| RFS2-9-12-2-A5 | 2 | 16 | 5 | 12 | 11.5 | 1.2 | 37 | 69 | 160 |
| RFS2-9-15-A5 | 2 | 16 | 5 | 15 | 11.5 | 0.5 | 50 | 90 | 144 |
| RFS2-9-20-A5 | 2 | 16 | 5 | 20 | 11.5 | 0.5 | 60 | 120 | 126 |
| RFS2-11-10-A5 | 2 | 18 | 5 | 8 | 14 | 1 | 45 | 164 | 252 |
| RFS2-11-20-A5 | 2 | 18.9 | 6.5 | 20 | 14 | 1.8 | 61 | 123 | 84 |
| RFS2-11-12-A5 | 2 | 19 | 6.5 | 12 | 14 | 1.8 | 38 | 62 | 144 |
| RFS2-13-15-A5 | 2 | 20.5 | 3.5 | 15 | 16.5 | 0.8 | 36 | 97 | 126 |
| RFS1-15-7-2-A5 | 1 | 23.3 | 2.5 | 7 | 20 | 0.9 | 14 | 41 | 240 |
| RFS1-15-7-A5 | 1 | 23.3 | 3 | 7 | 20 | 0.9 | 17 | 45 | 240 |
| RFS1-15-10-A5 | 1 | 23.3 | 3 | 10 | 20 | 0.9 | 18 | 47 | 168 |
| RFS1-15-12-A5 | 1 | 23.3 | 3 | 12 | 20 | 0.9 | 23 | 58 | 144 |
| RFS1-15-15-A5 | 1 | 23.3 | 3 | 15 | 20 | 0.9 | 24 | 59 | 108 |
| RFS1-14-15-A5 | 1 | 23.8 | 3.2 | 15 | 18.7 | 1.1 | 27 | 77 | 120 |
| RFS2-14-7-A5 | 2 | 23.8 | 6.3 | 7 | 18.7 | 1.1 | 21 | 47 | 240 |

Standard Pack sizes may vary

NOTES.

- 1) See drawing 05-133 sheet 4 onwards for Impedance graphs.
- 2) Impedance figures are typical values.
- 3) other sizes available by special order.
- 4) Packaging information is only a guide & subject to variation.

| REV. | MODIFICATION. | DATE | DRN |
|------|---------------|----------|-----|
| 02 | CO-2010429 | 06/10/08 | SF |
| 03 | CO-2010456 | 28/10/08 | OW |
| 04 | CO-2010481 | 18/11/08 | SF |
| 05 | CO-2010520 | 18/12/08 | SF |
| 06 | CO-2010933 | 03/06/10 | SF |
| 07 | CO-2011052 | 03/02/11 | SF |



INFORMATION CONTAINED IN THIS DOCUMENT IS CONFIDENTIAL TO RICHCO INTERNATIONAL Co. Ltd. AND MAY NOT BE DISCLOSED OR REPRODUCED IN WHOLE OR PART WITHOUT THEIR WRITTEN CONSENT.

RICHCO, INC.
WWW.RICHCO-INC.COM

ALL DIMENSIONS IN MM
GENERAL TOLERANCES ±0.25
UNLESS OTHERWISE STATED
1 DECIMAL PLACE ±
2 DECIMAL PLACES ±
ANGULAR ±1°

THIRD ANGLE

| | | | |
|--|-------------------------|------------------------------|-------------------------|
| MATERIAL: See Table | | COLOUR: See Table | |
| DESCRIPTION: RFS Flat Cable Sleeve Cores | | PART No: See Table | |
| DRG No: 05-133 | NPR No: | Mass:(g) | SHEET SIZE A3 |
| DRN NJB | DATE 02/12/05 | CHKD RC | DATE 02/12/05 |
| SCALE NTS | | SHEET No. 1 of 8 | |

Ferrite Material: A5-K5B RMS-303

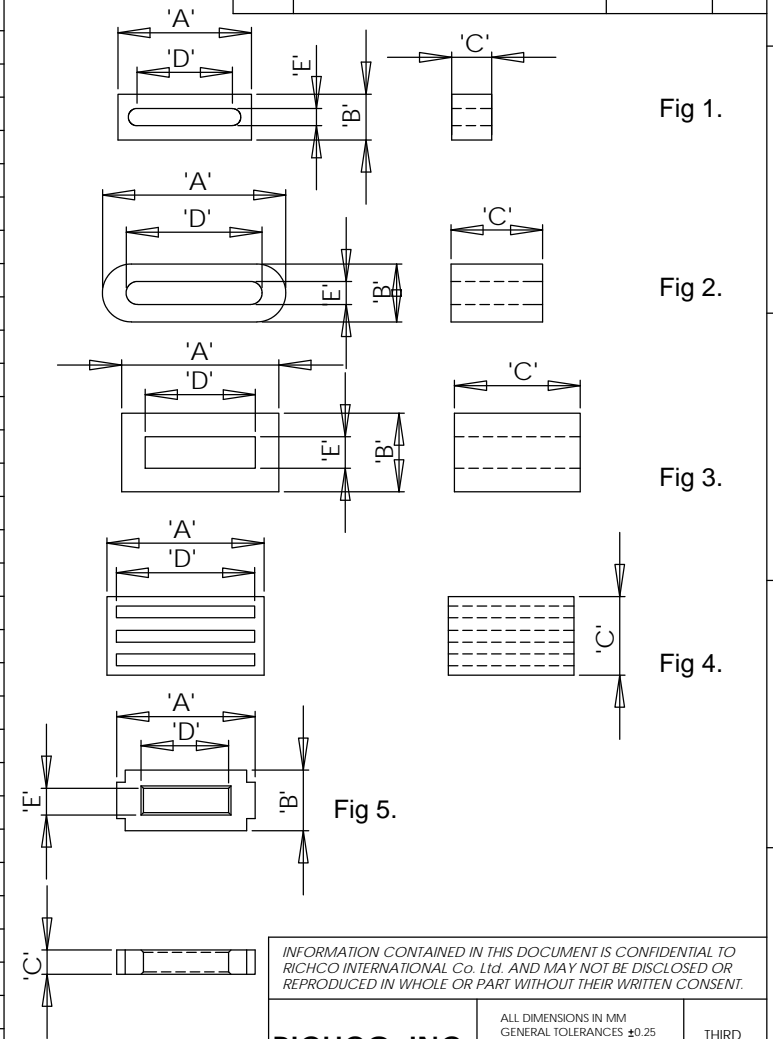
| RFS | Fig. | A | B | C | D | E | IMPEDANCE | | STANDARD PACK (PIECES) |
|---------------|------|------|------|------|------|------|-----------|--------|------------------------|
| | | | | | | | 25MHz | 100MHz | |
| RFS2-14-13-A5 | 2 | 23.8 | 6.3 | 12.5 | 18.7 | 1.1 | 46 | 96 | 120 |
| RFS2-2-30-A5 | 2 | 24 | 12 | 30 | 15 | 4 | 120 | 191 | 48 |
| RFS2-15-12-A5 | 2 | 24.5 | 5 | 12 | 20 | 0.5 | 35 | 70 | 144 |
| RFS2-15-20-A5 | 2 | 24.5 | 5 | 20 | 20 | 0.5 | 41 | 78 | 84 |
| RFS2-17-20-A5 | 2 | 25 | 3.7 | 20 | 22 | 0.7 | 43 | 114 | 56 |
| RFS2-16-12-A5 | 2 | 25.5 | 3 | 12 | 21.5 | 0.65 | 27 | 87 | 132 |
| RFS1-16-15-A5 | 1 | 25.5 | 4.5 | 15 | 21.5 | 0.65 | 39 | 110 | 144 |
| RFS1-17-15-A5 | 1 | 25.5 | 5 | 15 | 21.5 | 0.65 | 48 | 128 | 108 |
| RFS2-18-8-A5 | 2 | 28.5 | 6.5 | 8 | 23.5 | 0.8 | 28 | 65 | 170 |
| RFS2-18-15-A5 | 2 | 28.5 | 6.5 | 15 | 23.5 | 1 | 44 | 91 | 90 |
| RFS2-18-18-A5 | 2 | 28.5 | 6.5 | 18 | 23.5 | 1 | 55 | 127 | 80 |
| RFS2-18-10-A5 | 2 | 28.6 | 7.7 | 10 | 23.5 | 1.7 | 31 | 71 | 140 |
| RFS2-22-8-A5 | 2 | 31 | 3 | 8 | 27 | 1 | 13 | 42 | 160 |
| RFS2-22-12-A5 | 2 | 31 | 3 | 12 | 27 | 1 | 19 | 56 | 110 |
| RFS2-22-20-A5 | 2 | 31 | 4 | 20 | 27 | 0.7 | 42 | 121 | 60 |
| RFS2-22-9-A5 | 2 | 31 | 5 | 9 | 27 | 1 | 29 | 88 | 150 |
| RFS2-20-12-A5 | 2 | 31 | 5 | 12 | 27 | 1 | 28 | 75 | 110 |
| RFS2-21-18-A5 | 2 | 31 | 5 | 18 | 27 | 1 | 34 | 94 | 70 |
| RFS2-21-25-A5 | 2 | 32 | 4 | 25 | 27 | 0.7 | 51 | 142 | 36 |
| RFS2-22-25-A5 | 2 | 32 | 6 | 25 | 28 | 0.85 | 59 | 146 | 36 |
| RFS4-21-16-A5 | 4 | 32 | 11.8 | 16 | 27 | 1 | 76 | 188 | 80 |
| RFS2-21-8-A5 | 2 | 33.5 | 6.5 | 8 | 27 | 1.3 | 21 | 53 | 136 |
| RFS2-21-10-A5 | 2 | 33.5 | 6.5 | 10 | 27 | 1.3 | 26 | 57 | 84 |
| RFS2-21-12-A5 | 2 | 33.5 | 6.5 | 12 | 27 | 1.3 | 30 | 66 | 70 |
| RFS2-21-15-A5 | 2 | 33.5 | 6.5 | 15 | 27 | 1.3 | 36 | 78 | 72 |
| RFS2-21-20-A5 | 2 | 33.5 | 6.5 | 20 | 27 | 1.3 | 58 | 149 | 56 |
| RFS2-24-18-A5 | 2 | 36 | 6.5 | 18 | 31 | 0.6 | 52 | 147 | 64 |
| RFS2-24-8-A5 | 2 | 36 | 7.5 | 8 | 31 | 1 | 29 | 79 | 48 |
| RFS2-24-20-A5 | 2 | 36 | 7.5 | 20 | 31 | 1 | 54 | 122 | 32 |
| RFS2-24-30-A5 | 2 | 36 | 7.5 | 30 | 31 | 1 | 72 | 174 | 32 |
| RFS2-24-36-A5 | 2 | 36 | 7.5 | 36 | 31 | 1 | 92 | 192 | 24 |
| RFS2-25-12-A5 | 2 | 36 | 5 | 12 | 32.4 | 0.8 | 29 | 88 | 90 |

Standard Pack sizes may vary

NOTES.

- See drawing 05-133 sheet 4 onwards for Impedance graphs.
- Impedance figures are typical values.
- Other sizes available by special order.
- Packaging information is only a guide & subject to variation.

| REV. | MODIFICATION. | DATE | DRN |
|------|---------------|----------|-----|
| 02 | CO-2010429 | 06/10/08 | SF |
| 03 | CO-2010456 | 28/10/08 | OW |
| 04 | CO-2010481 | 18/11/08 | SF |
| 05 | CO-2010520 | 18/12/08 | SF |
| 06 | CO-2010933 | 03/06/10 | SF |
| 07 | CO-2011052 | 03/02/11 | SF |



INFORMATION CONTAINED IN THIS DOCUMENT IS CONFIDENTIAL TO RICHCO INTERNATIONAL Co. Ltd. AND MAY NOT BE DISCLOSED OR REPRODUCED IN WHOLE OR PART WITHOUT THEIR WRITTEN CONSENT.

RICHCO, INC.
WWW.RICHCO-INC.COM

ALL DIMENSIONS IN MM
GENERAL TOLERANCES ±0.25
UNLESS OTHERWISE STATED
1 DECIMAL PLACE ±
2 DECIMAL PLACES ±
ANGULAR ±1°

THIRD ANGLE

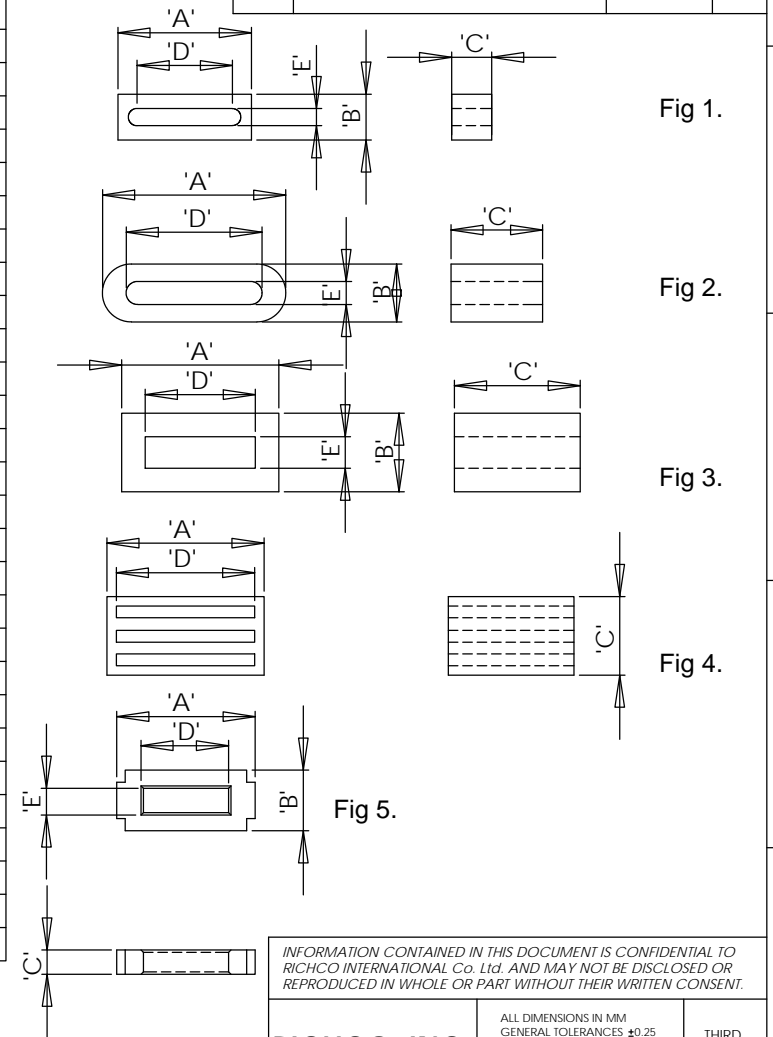
| | | | |
|--|-------------------------|------------------------------|-------------------------|
| MATERIAL: See Table | | COLOUR: See Table | |
| DESCRIPTION: RFS Flat Cable Sleeve Cores | | PART No: See Table | |
| DRG No: 05-133 | NPR No: | Mass:(g) | SHEET SIZE A3 |
| DRN NJB | DATE 02/12/05 | CHKD RC | DATE 02/12/05 |
| SCALE NTS | | SHEET No. 2 of 8 | |

Ferrite Material: A5-K5B RMS-303

| RFS | Fig. | A | B | C | D | E | IMPEDANCE | | STANDARD PACK (PIECES) |
|-----------------|------|-------|-------|------|-------|-----|-----------|--------|------------------------|
| | | | | | | | 25MHz | 100MHz | |
| RFS2-26-12-A5 | 2 | 38.5 | 4 | 12 | 35 | 0.8 | 25 | 68 | 72 |
| RFS2-26-15-A5 | 2 | 38.5 | 4 | 15 | 35 | 0.8 | 31 | 100 | 56 |
| RFS1-20-25-A5 | 1 | 38.53 | 12.06 | 25.4 | 26.77 | 1.9 | 100 | 180 | 30 |
| RFS2-27-6-A5 | 2 | 40 | 6.5 | 6 | 35 | 1.3 | 16 | 45 | 144 |
| RFS2-27-8-A5 | 2 | 40 | 6.5 | 8 | 35 | 1.3 | 23 | 58 | 96 |
| RFS2-27-10-A5 | 2 | 40 | 6.5 | 10 | 35 | 1.3 | 25 | 64 | 84 |
| RFS2-27-12-A5 | 2 | 40 | 6.5 | 12 | 35 | 1.3 | 28 | 69 | 72 |
| RFS2-27-12-2-A5 | 2 | 40 | 6.5 | 12 | 35 | 2 | 24 | 59 | 72 |
| RFS2-27-15-A5 | 2 | 40 | 6.5 | 15 | 35 | 1.3 | 32 | 85 | 54 |
| RFS2-27-18-A5 | 2 | 40 | 6.5 | 18 | 35 | 1.3 | 36 | 98 | 48 |
| RFS2-27-20-A5 | 2 | 40 | 6.5 | 20 | 35 | 1.3 | 41 | 105 | 42 |
| RFS3-4-5-A5 | 3 | 40 | 11.4 | 5 | 32 | 7.4 | 12 | 36 | 96 |
| RFS1-27-18-A5 | 1 | 41 | 12.5 | 18 | 34.4 | 1.5 | 60 | 136 | 24 |
| RFS3-27-18-A5 | 3 | 45 | 12.7 | 18 | 35 | 1.8 | 51 | 114 | 42 |
| RFS3-27-10-A5 | 3 | 45 | 12.7 | 10 | 35 | 1.8 | 39 | 89 | 48 |
| RFS1-27-28-A5 | 1 | 45.1 | 12.5 | 28.5 | 34.4 | 1.5 | 95 | 195 | 24 |
| RFS2-30-12-A5 | 2 | 45.2 | 6.5 | 12 | 40 | 1.3 | 27 | 70 | 72 |
| RFS2-30-15-A5 | 2 | 45.2 | 6.5 | 15 | 40 | 1.3 | 31 | 70 | 54 |
| RFS2-34-8-A5 | 2 | 49.6 | 6.5 | 8 | 44 | 1.3 | 17 | 50 | 96 |
| RFS2-34-12-A5 | 2 | 49.6 | 6.5 | 12 | 44 | 1.3 | 25 | 66 | 72 |
| RFS2-34-15-A5 | 2 | 49.6 | 6.5 | 15 | 44 | 1.3 | 31 | 94 | 54 |
| RFS2-34-12-2-A5 | 2 | 49.6 | 7 | 12 | 44 | 1.8 | 25 | 66 | 66 |
| RFS2-35-12-A5 | 2 | 50 | 6.5 | 12 | 44.9 | 1.4 | 23 | 62 | 72 |
| RFS2-40-12-A5 | 2 | 57.6 | 6.5 | 12 | 52 | 1.3 | 25 | 75 | 48 |
| RFS2-40-20-A5 | 2 | 58.6 | 7.5 | 20 | 52 | 1.3 | 43 | 119 | 30 |
| RFS1-38-13-A5 | 1 | 60 | 12 | 12.7 | 48.5 | 2.2 | 40 | 95 | 30 |
| RFS2-43-12-A5 | 2 | 60.6 | 6.5 | 12 | 55.2 | 1.3 | 28 | 92 | 48 |

Standard Pack sizes may vary

| REV. | MODIFICATION. | DATE | DRN |
|------|---------------|----------|-----|
| 02 | CO-2010429 | 06/10/08 | SF |
| 03 | CO-2010456 | 28/10/08 | OW |
| 04 | CO-2010481 | 18/11/08 | SF |
| 05 | CO-2010520 | 18/12/08 | SF |
| 06 | CO-2010933 | 03/06/10 | SF |
| 07 | CO-2011052 | 03/02/11 | SF |



INFORMATION CONTAINED IN THIS DOCUMENT IS CONFIDENTIAL TO RICHCO INTERNATIONAL Co. Ltd. AND MAY NOT BE DISCLOSED OR REPRODUCED IN WHOLE OR PART WITHOUT THEIR WRITTEN CONSENT.

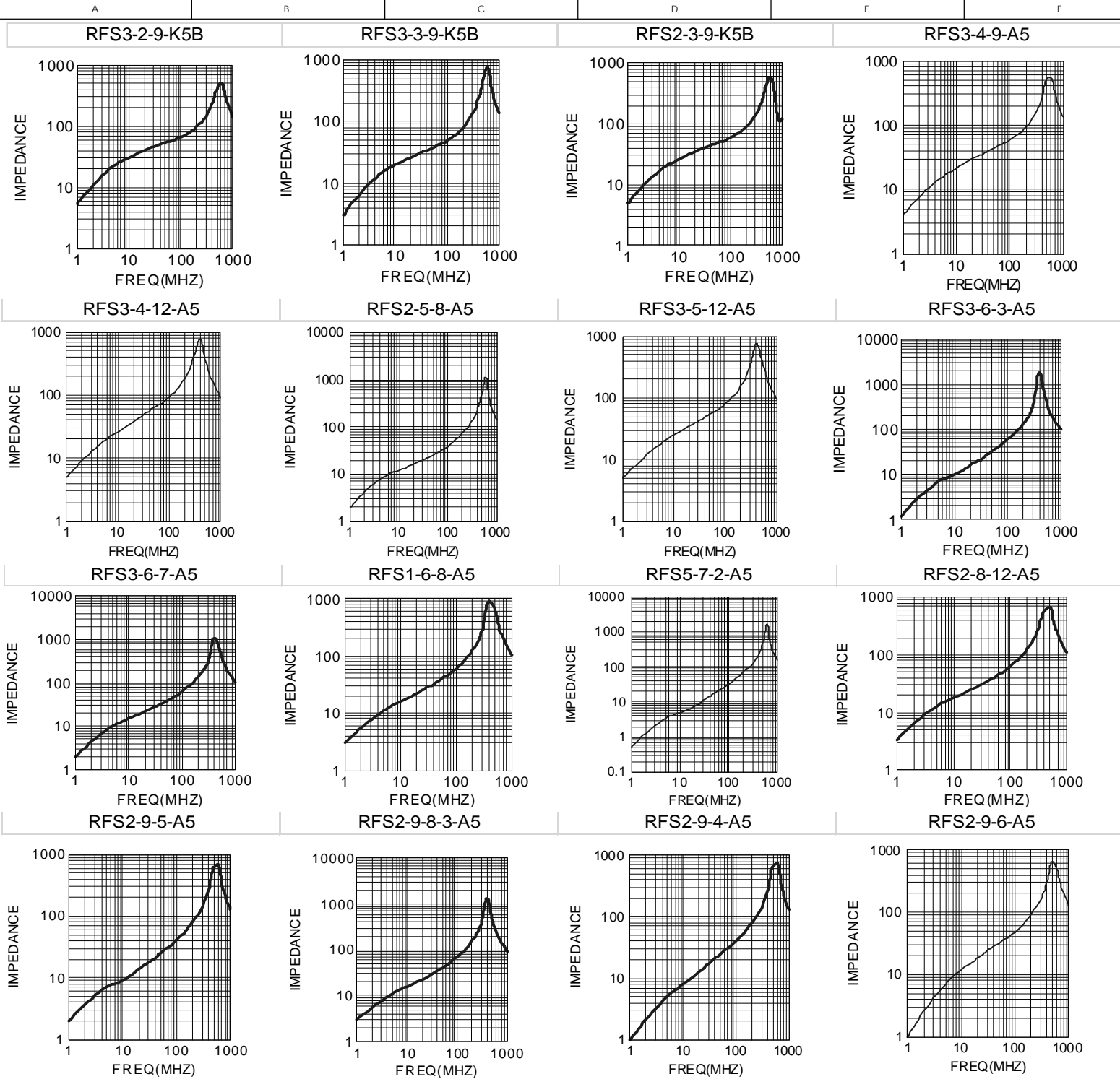
RICHCO, INC.
WWW.RICHCO-INC.COM

ALL DIMENSIONS IN MM
GENERAL TOLERANCES ±0.25
UNLESS OTHERWISE STATED
1 DECIMAL PLACE ±
2 DECIMAL PLACES ±
ANGULAR ±1°

THIRD ANGLE

| | | | |
|--|-------------------------|------------------------------|-------------------------|
| MATERIAL: See Table | | COLOUR: See Table | |
| DESCRIPTION: RFS Flat Cable Sleeve Cores | | PART No: See Table | |
| DRG No: 05-133 | NPR No: | Mass:(g) | SHEET SIZE A3 |
| DRN NJB | DATE 02/12/05 | CHKD RC | DATE 02/12/05 |
| SCALE NTS | | SHEET No. 3 of 8 | |

- NOTES.
- 1) See drawing 05-133 sheet 4 onwards for Impedance graphs.
 - 2) Impedance figures are typical values.
 - 3) other sizes available by special order.
 - 4) Packaging information is only a guide & subject to variation.



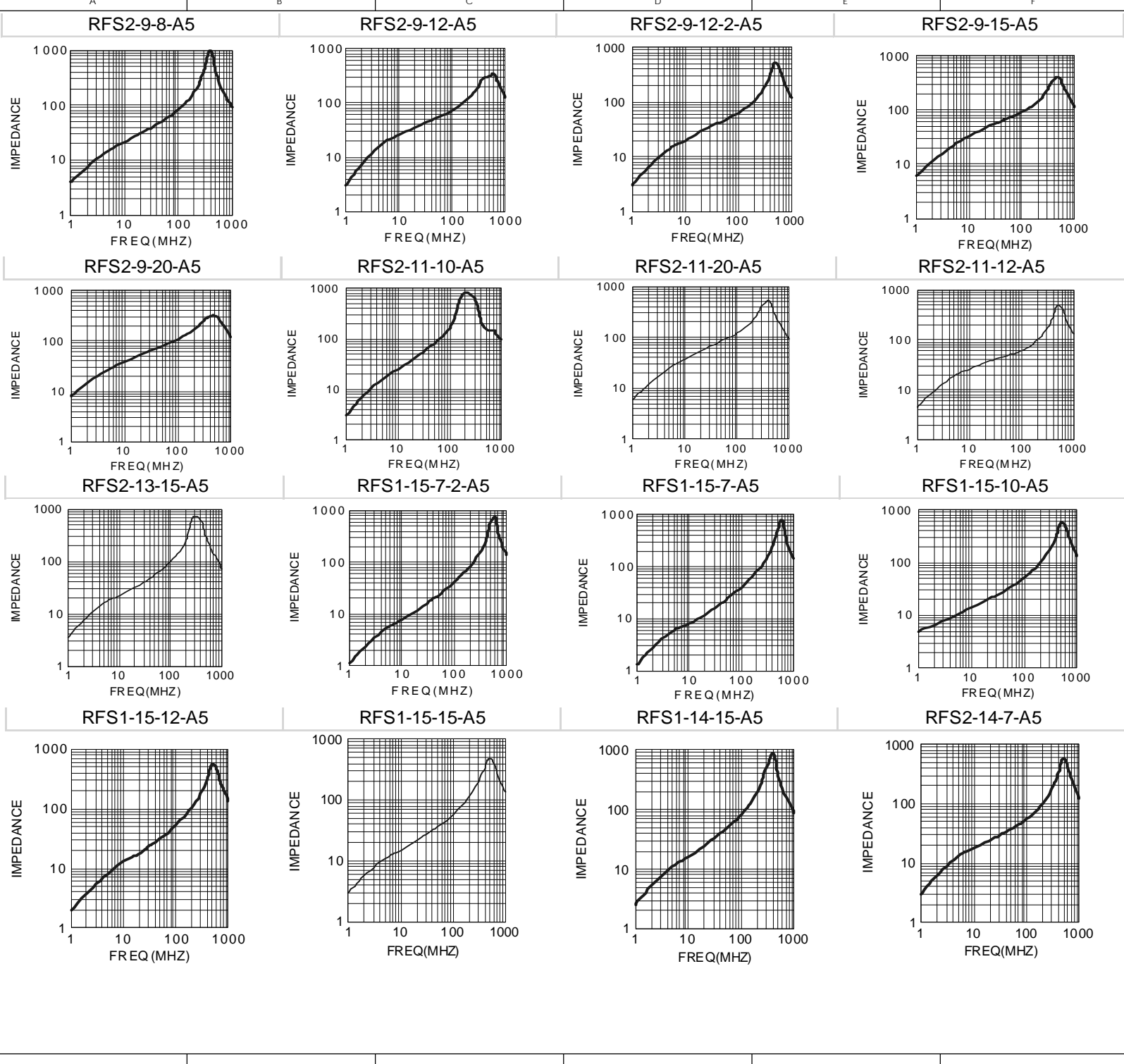
| REV. | MODIFICATION. | DATE | DRN |
|------|---------------|----------|-----|
| 02 | CO-2010429 | 06/10/08 | SF |
| 03 | CO-2010456 | 28/10/08 | OW |
| 04 | CO-2010481 | 18/11/08 | SF |
| 05 | CO-2010520 | 18/12/08 | SF |
| 06 | CO-2010933 | 03/06/10 | SF |
| 07 | CO-2011052 | 03/02/11 | SF |

NOTES.
1) Impedance figures are typical values.

INFORMATION CONTAINED IN THIS DOCUMENT IS CONFIDENTIAL TO RICHCO INTERNATIONAL Co. Ltd. AND MAY NOT BE DISCLOSED OR REPRODUCED IN WHOLE OR PART WITHOUT THEIR WRITTEN CONSENT.

| | | | | |
|--|-------------------------|---|-------------------------|----------------------------|
| RICHCO, INC. WWW.RICHCO-INC.COM | | ALL DIMENSIONS IN MM GENERAL TOLERANCES ±0.25 UNLESS OTHERWISE STATED 1 DECIMAL PLACE ± 2 DECIMAL PLACES ± ANGULAR ±1° | | THIRD ANGLE |
| MATERIAL: See Table | | COLOUR: See Table | | |
| DESCRIPTION: RFS Flat Cable Sleeve Cores | | PART No: See Table | | |
| DRG No: 05-133 | NPR No: | Mass:(g) | SHEET SIZE A3 | |
| DRN NJB | DATE 02/12/05 | CHKD RC | DATE 02/12/05 | SCALE NTS |
| | | | | SHEET No. 4 of 8 |

| REV. | MODIFICATION. | DATE | DRN |
|------|---------------|----------|-----|
| 02 | CO-2010429 | 06/10/08 | SF |
| 03 | CO-2010456 | 28/10/08 | OW |
| 04 | CO-2010481 | 18/11/08 | SF |
| 05 | CO-2010520 | 18/12/08 | SF |
| 06 | CO-2010933 | 03/06/10 | SF |
| 07 | CO-2011052 | 03/02/11 | SF |

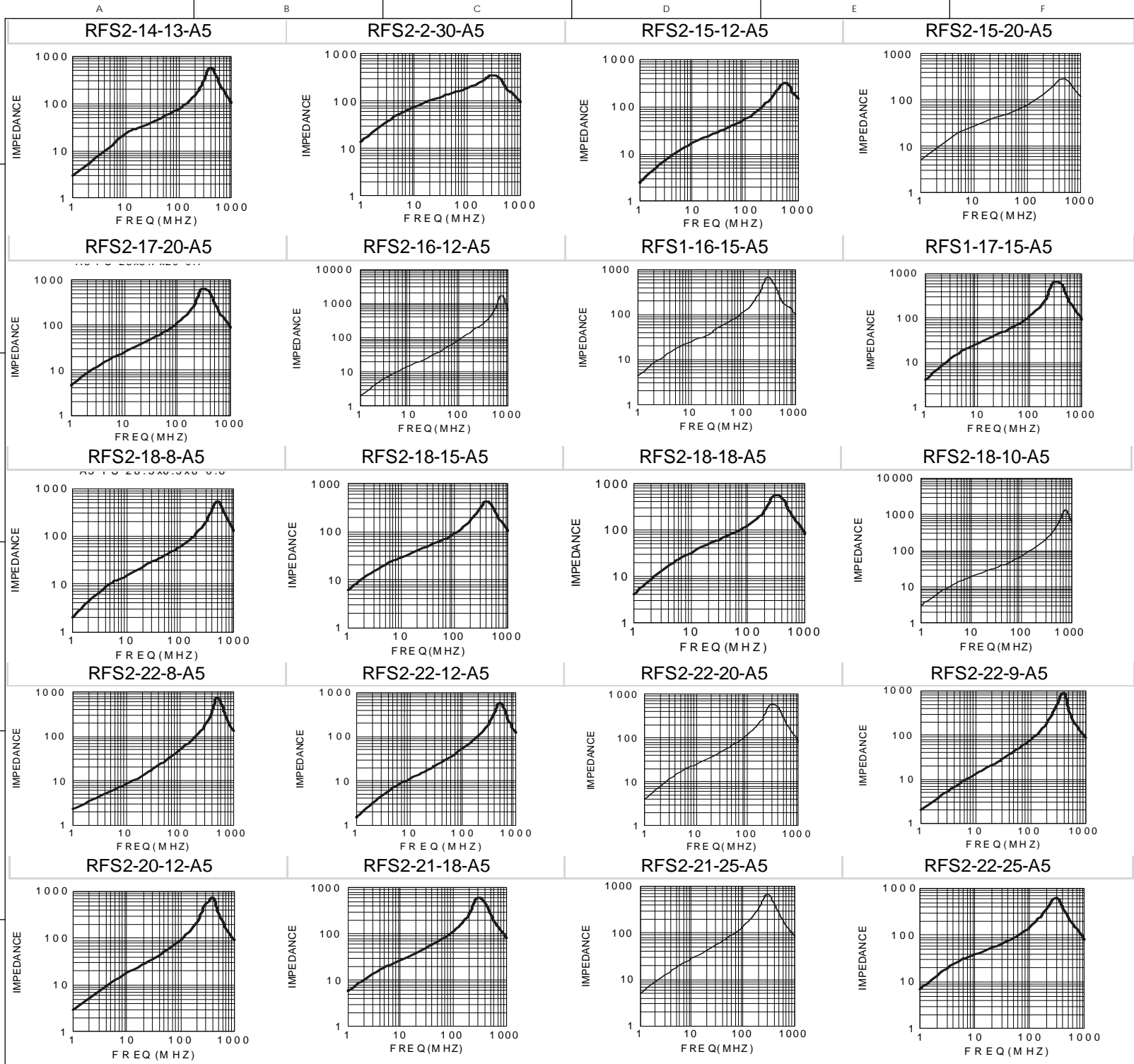


NOTES.
1) Impedance figures are typical values.

INFORMATION CONTAINED IN THIS DOCUMENT IS CONFIDENTIAL TO RICHCO INTERNATIONAL Co. Ltd. AND MAY NOT BE DISCLOSED OR REPRODUCED IN WHOLE OR PART WITHOUT THEIR WRITTEN CONSENT.

| | | |
|---|---|-----------------|
| RICHCO, INC. WWW.RICHCO-INC.COM | ALL DIMENSIONS IN MM GENERAL TOLERANCES ±0.25 UNLESS OTHERWISE STATED 1 DECIMAL PLACE ± 2 DECIMAL PLACES ± ANGULAR ±1° | THIRD ANGLE |
| | | |

| | | | |
|--|-------------------------|------------------------------|-------------------------|
| MATERIAL: See Table | | COLOUR: See Table | |
| DESCRIPTION: RFS Flat Cable Sleeve Cores | | PART No: See Table | |
| DRG No: 05-133 | NPR No: | Mass:(g) | SHEET SIZE A3 |
| DRN NJB | DATE 02/12/05 | CHKD RC | DATE 02/12/05 |
| SCALE NTS | | SHEET No. 5 of 8 | |



| REV. | MODIFICATION. | DATE | DRN |
|------|---------------|----------|-----|
| 02 | CO-2010429 | 06/10/08 | SF |
| 03 | CO-2010456 | 28/10/08 | OW |
| 04 | CO-2010481 | 18/11/08 | SF |
| 05 | CO-2010520 | 18/12/08 | SF |
| 06 | CO-2010933 | 03/06/10 | SF |
| 07 | CO-2011052 | 03/02/11 | SF |

NOTES.
1) Impedance figures are typical values.

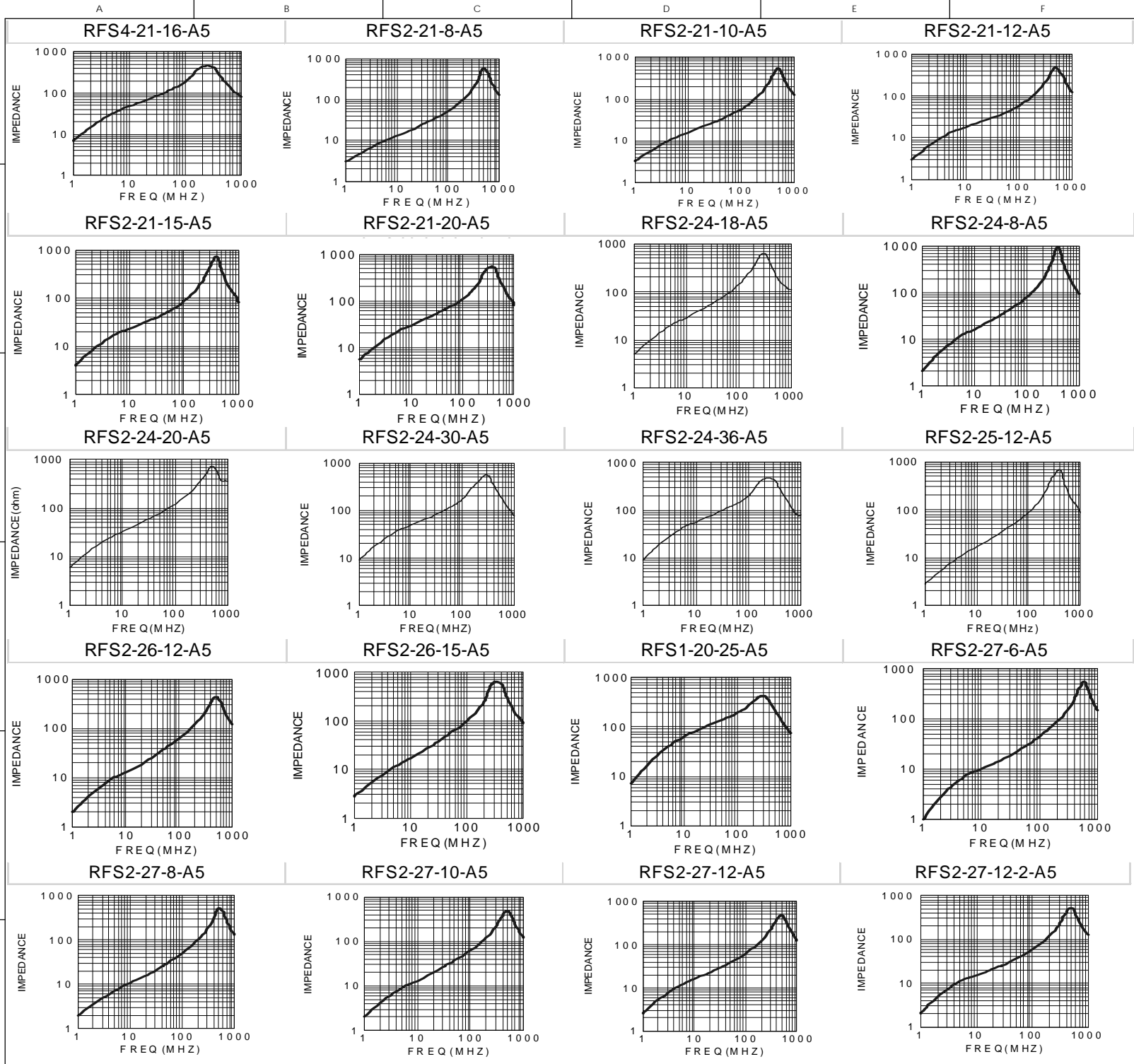
INFORMATION CONTAINED IN THIS DOCUMENT IS CONFIDENTIAL TO RICHCO INTERNATIONAL Co. Ltd. AND MAY NOT BE DISCLOSED OR REPRODUCED IN WHOLE OR PART WITHOUT THEIR WRITTEN CONSENT.

RICHCO, INC.
WWW.RICHCO-INC.COM

ALL DIMENSIONS IN MM
GENERAL TOLERANCES ±0.25
UNLESS OTHERWISE STATED
1 DECIMAL PLACE ±
2 DECIMAL PLACES ±
ANGULAR ±1°

THIRD ANGLE

| | | | |
|--|-------------------------|------------------------------|-------------------------|
| MATERIAL: See Table | | COLOUR: See Table | |
| DESCRIPTION: RFS Flat Cable Sleeve Cores | | PART No: See Table | |
| DRG No: 05-133 | NPR No: | Mass:(g) | SHEET SIZE |
| DRN NJB | DATE 02/12/05 | CHKD RC | DATE 02/12/05 |
| SCALE NTS | | SHEET No. 6 of 8 | |



| REV. | MODIFICATION. | DATE | DRN |
|------|---------------|----------|-----|
| 02 | CO-2010429 | 06/10/08 | SF |
| 03 | CO-2010456 | 28/10/08 | OW |
| 04 | CO-2010481 | 18/11/08 | SF |
| 05 | CO-2010520 | 18/12/08 | SF |
| 06 | CO-2010933 | 03/06/10 | SF |
| 07 | CO-2011052 | 03/02/11 | SF |

NOTES.
1) Impedance figures are typical values.

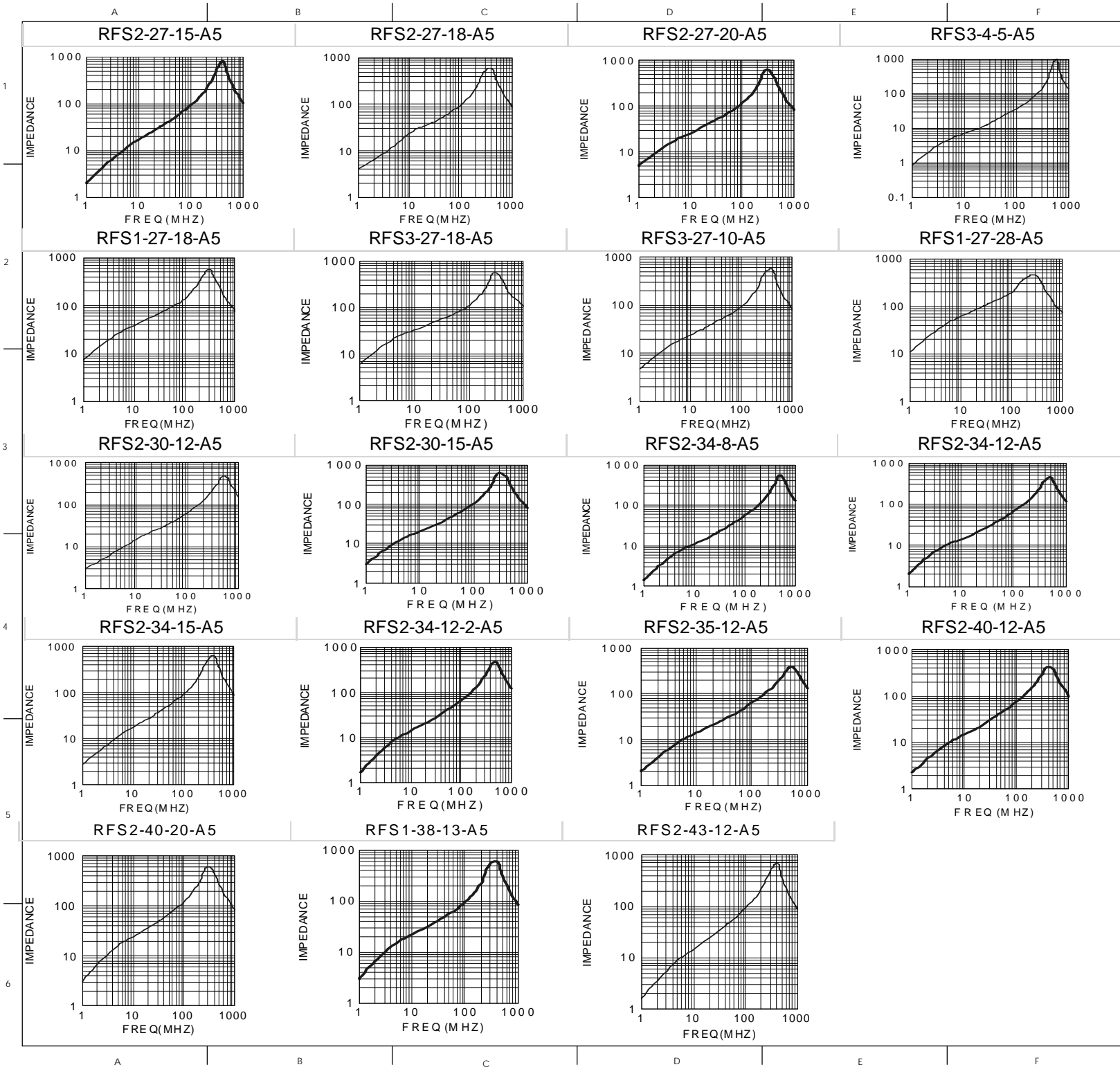
INFORMATION CONTAINED IN THIS DOCUMENT IS CONFIDENTIAL TO RICHCO INTERNATIONAL Co. Ltd. AND MAY NOT BE DISCLOSED OR REPRODUCED IN WHOLE OR PART WITHOUT THEIR WRITTEN CONSENT.

RICHCO, INC.
WWW.RICHCO-INC.COM

ALL DIMENSIONS IN MM
GENERAL TOLERANCES ±0.25
UNLESS OTHERWISE STATED
1 DECIMAL PLACE ±
2 DECIMAL PLACES ±
ANGULAR ±1°

THIRD ANGLE

| | | | |
|--|-------------------------|------------------------------|-------------------------|
| MATERIAL: See Table | | COLOUR: See Table | |
| DESCRIPTION: RFS Flat Cable Sleeve Cores | | PART No: See Table | |
| DRG No: 05-133 | NPR No: | Mass:(g) | SHEET SIZE A3 |
| DRN NJB | DATE 02/12/05 | CHKD RC | DATE 02/12/05 |
| SCALE NTS | | SHEET No. 7 of 8 | |



| REV. | MODIFICATION. | DATE | DRN |
|------|---------------|----------|-----|
| 02 | CO-2010429 | 06/10/08 | SF |
| 03 | CO-2010456 | 28/10/08 | OW |
| 04 | CO-2010481 | 18/11/08 | SF |
| 05 | CO-2010520 | 18/12/08 | SF |
| 06 | CO-2010933 | 03/06/10 | SF |
| 07 | CO-2011052 | 03/02/11 | SF |

NOTES.
1) Impedance figures are typical values.

INFORMATION CONTAINED IN THIS DOCUMENT IS CONFIDENTIAL TO RICHCO INTERNATIONAL Co. Ltd. AND MAY NOT BE DISCLOSED OR REPRODUCED IN WHOLE OR PART WITHOUT THEIR WRITTEN CONSENT.

| | | |
|---|---|-----------------|
| RICHCO, INC. WWW.RICHCO-INC.COM | ALL DIMENSIONS IN MM GENERAL TOLERANCES ±0.25 UNLESS OTHERWISE STATED 1 DECIMAL PLACE ± 2 DECIMAL PLACES ± ANGULAR ±1° | THIRD ANGLE |
| | MATERIAL: See Table COLOUR: See Table | |

| | | | |
|--|-------------------------|----------------------------|-------------------------|
| DESCRIPTION: RFS Flat Cable Sleeve Cores | | PART No: See Table | |
| DRG No: 05-133 | NPR No: | Mass:(g) | SHEET SIZE A3 |
| DRN NJB | DATE 02/12/05 | CHKD RC | DATE 02/12/05 |
| SCALE NTS | | SHEET No. 8 of 8 | |