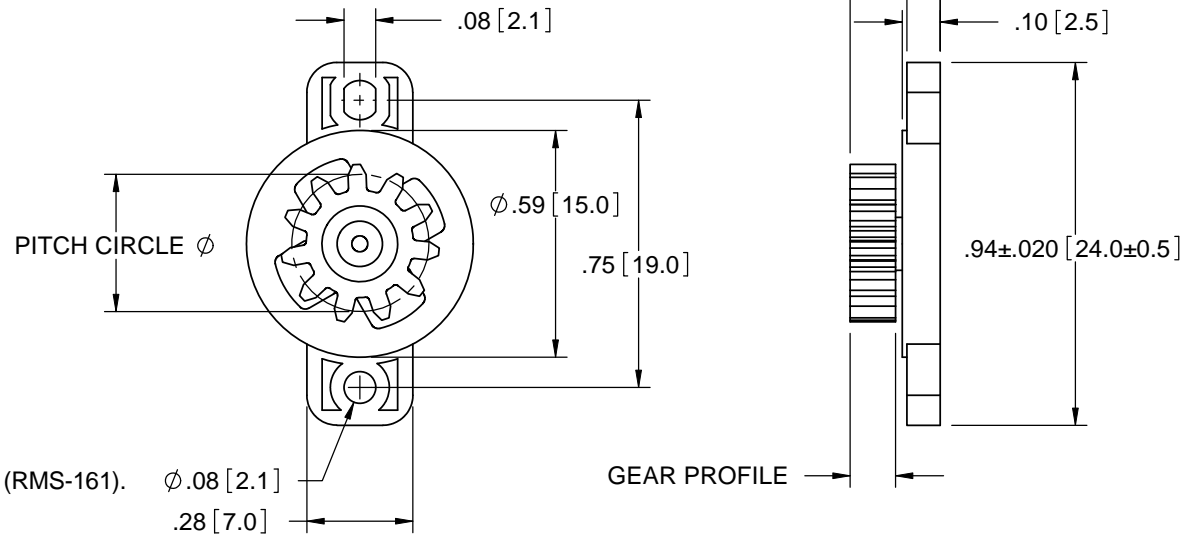


GEAR SPECIFICATION			
GEAR (*)	1	2	3
TYPE	STANDARD SPUR	STANDARD SPUR	STANDARD SPUR
TOOTH PROFILE	INVOLUTE GEAR	INVOLUTE GEAR	INVOLUTE GEAR
PRESSURE ANGLE	20°	20°	20°
NUMBER OF TEETH	14	10	11
PITCH CIRCLE DIA.	Ø.28 [Ø7]	Ø.39 [Ø10]	Ø.35 [Ø8.8]
GEAR PROFILE	.15 [3.7]	.12 [3.0]	.14 [3.6]
TOTAL PROFILE	.26 [6.6] REF.	.23 [5.9] REF.	.26 [6.5] REF.

PART NO.	TORQUE (gf.cm) @ 20 RPM & 23°C
RFRT-G2-200G*	20±7
RFRT-G2-300G*	30±8
RFRT-G2-450G*	45±10
RFRT-G2-600G*	60±12
RFRT-G2-101G*	100±20



NOTES:

- HOUSING MATERIAL: 94HB POLYCARBONATE (PC) (RMS-161).
- SHAFT AND GEAR MATERIAL: ACETAL (RMS-160).
- COLOR: BLACK.
- COMPONENTS (INSIDE HOUSING):
 - SILICONE OIL (RMS-209)
 - O-RING: SILICONE RUBBER (RMS-210)

I	SEE CO 200131 FOR CHANGES	SK	02/20/08
H	SEE ECN #1289 FOR CHANGES	SK	02/15/07
G	SEE ECN #1266 FOR CHANGES	SK	12/14/06
F	SEE ECN #1177 FOR CHANGES	SK	05/24/06
E	SEE ECN #967 FOR CHANGES	SK	03/18/05
D	SEE ECN #809 FOR CHANGES	SM	06/22/04
C	UPDATED DRAWING, PITCH CIR. DIA. 7 WAS DIA. 14	RG	02/28/02
B	CORRECTED PART #TABLE	RG	01/29/02
A	RELEASED FOR PRODUCTION	RG	01/08/02
REV.	DESCRIPTION	ENGR.	DATE

TITLE: TWO WAY ROTARY DAMPER				DWG IN IN [MM]		FINAL	
CREATED USING SOLIDWORKS	FILE #: RFRT-G2-XXXGX	DWN: DJZ	APP: -	PART #		PRINT TYPE	
TOLERANCES UNLESS NOTED .XX=±.010 .XXX=±.005 FRAC.=±1/64 ANG.=±1°	SHEET: 1 OF 1	SHEET SIZE: A	DT: 12/06/01				
RE: RICHCO, INC.		RICHCO, INC. ENG@RICHCO-INC.COM (773) 539-4060		SEE TABLE		CA	