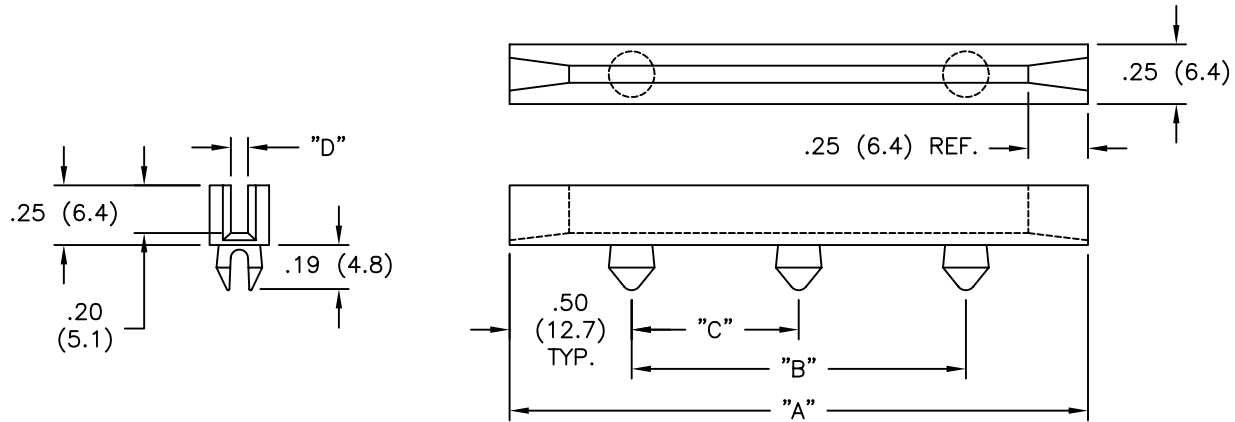
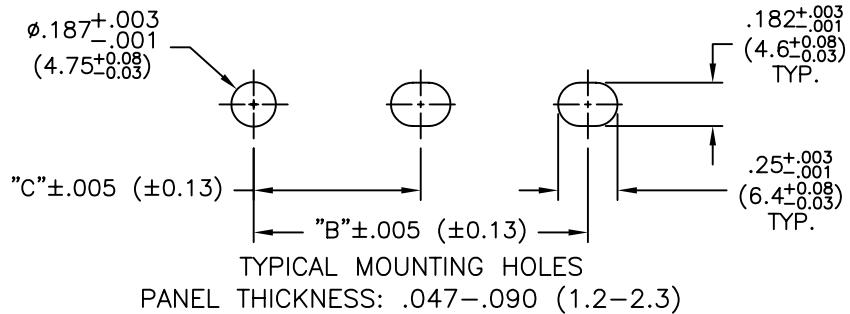


| PART NO. | "A" REF. | "B" \pm .025 (\pm 0.63) | "C" \pm .015 (\pm 0.38) | NOMINAL BD. THKS. | "D" \pm .005 (\pm 0.13) |
|-------------|--------------|---------------------------------|---------------------------------|----------------------|---------------------------------|
| RDC-250 | 2.50 (63.5) | 1.50 (38.1) | - | 1/16 (1.6) | .080 (2.0) |
| RDC-450 | 4.50 (114.3) | 3.50 (88.9) | - | | |
| RDC-600 | 6.00 (152.4) | 5.00 (127.0) | - | | |
| RDC-800 | 8.00 (203.2) | 7.00 (177.8) | 3.50 (88.9) | 3/32 (2.4) | .102 (2.6) |
| RDC-450-102 | 4.50 (114.3) | 3.50 (88.9) | - | | |
| RDC-600-102 | 6.00 (152.4) | 5.00 (127.0) | - | | |
| RDC-800-102 | 8.00 (203.2) | 7.00 (177.8) | 3.50 (88.9) | 1/8 (3.2) | .132 (3.4) |
| RDC-450-130 | 4.50 (114.3) | 3.50 (88.9) | - | | |
| RDC-600-130 | 6.00 (152.4) | 5.00 (127.0) | - | | |
| RDC-800-130 | 8.00 (203.2) | 7.00 (177.8) | 3.50 (88.9) | | |



NOTES:

1. MATERIAL: GLASS-FILLED NYLON (RMS-66).
2. COLOR: BLACK.
3. SLOTTING OR ELONGATING OF 2ND AND 3RD MOUNTING HOLE IS RECOMMENDED TO ALLOW FOR LENGTH VARIATIONS IN MOLDING AND ASSEMBLY EASE.



| | | |
|-----|--|-------------|
| H | SEE ECN #1073 FOR CHANGES | SK 10.11.05 |
| G | SEE ECN #839 FOR CHANGES | SM 08.24.04 |
| F | CHANGED FILE NUMBER AND UPDATED PRINT | SM 01.31.02 |
| E | -130 SERIES ADDED | PB 050994 |
| D | MOUNTING INSTRUCTIONS MODIFIED | PB 042994 |
| C | DIM .05(1.3) ADDED MOUNTING INSTRUCTIONS MODIFIED, CHANGED TABLE | RS 021694 |
| B | NEW P/N'S ADDED | RS 012494 |
| A | METRIC DIMS., TOL. CORRECTED | RS 081892 |
| REV | DESCRIPTION | ENGR DATE |

| TITLE: DEEP CHANNEL CARD GUIDE (RDC) | | | | DWG IN IN(mm) | FINAL |
|---|------------------|--|------|---------------------|------------------|
| TOLERANCES UNLESS NOTED .XX= \pm .010 .XXX= \pm .005 FRAC=1/64 ANG=1° | FILE # RDC | DWN: J.B. | APP: | PART # SEE TABLE | PRINT TYPE CA |
| | MAT'L: SEE NOTES | DT: 04-08-97 | DT: | | |
| | RE: RICHCO, INC. | RICHCO INC. PO BOX 804238, CHICAGO, 60680 (773) 539-4060 | | | |